

Delivering leading edge, innovative power solutions for more than **30** years....

Model:GTDP61200-120VV

September 19, 2019

GTDP61200-120VV

Information

Model Number GTDP61200-120VV

Description GTDP61200-120VV, ITE Power Supply, Desktop/External, DC-DC, , Input Rating: 12-32 VDC, Male Cigarette Lighter Plug, UL 1185 , 18AWG , 1830 mm for GTDP61200-120VV, Output Rating: 120 Watts, Power rating with convection cooling (W) , 12-24V in 0.1V increments, Approvals: EAC; CB 60601-1; CE; VCCI; WEEE; China RoHS; RoHS;

Model Picture



Agency

Documents

CE

EC-Declaration https://www.globtek.com/pdf/ec_declaration/a0Oa000000JbbMEAT

RoHS/RoHS2

Declaration https://www.globtek.com/pdf/rohs_cert/a0Oa000000JbbMEAT

REACH

Declaration https://www.globtek.com/pdf/iso_certificates/REACH.pdf

Conflict

Minerals

Declaration

<https://www.globtek.com/pdf/conflict-minerals.pdf>

Delivering leading edge, innovative power solutions for more than **30** years....

Model:GTDP61200-120VV

September 19, 2019

Model Parameters

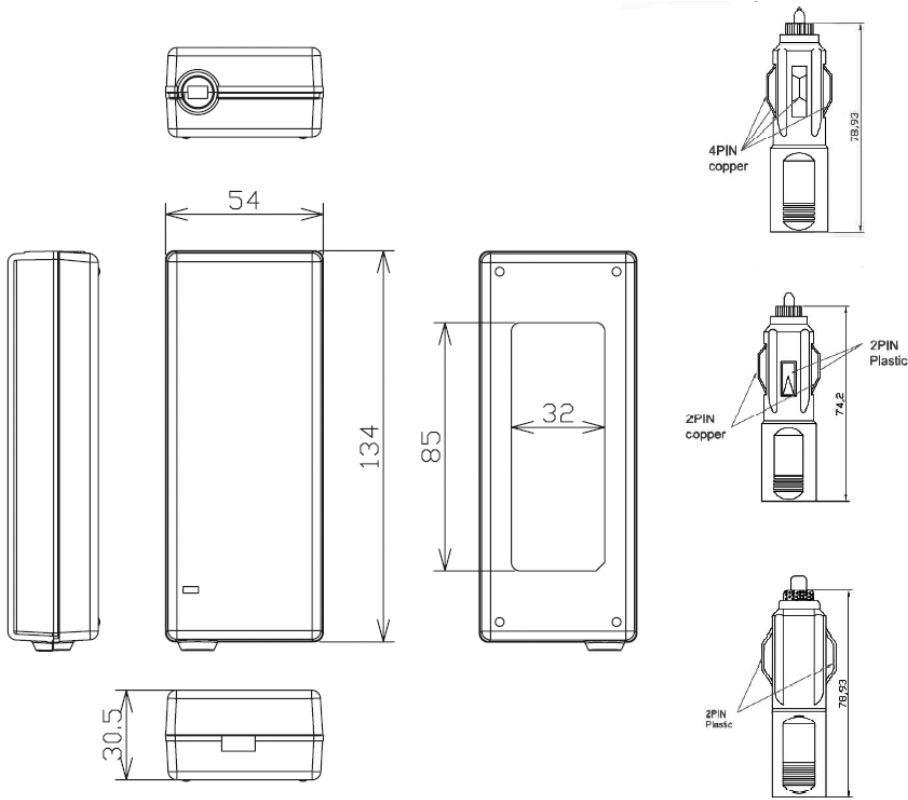
Type	Desktop/External
Technology	DC-DC
Category	ITE Power Supply
Input Voltage	12-32 VDC
I/P Amps (A)	Max.
Wattage (W)	120.0
Vout Range (V)	12-24
Efficiency Level	VI
Ingress Protection	
Size (mm)	134(L)*54(W)*30.5(H)

Delivering leading edge, innovative power solutions for more than 30 years....

Model:GTDP61200-120VV

September 19, 2019

ENCLOSURE



Delivering leading edge, innovative power solutions for more than **30** years....

Model:GTDP61200-120VV

September 19, 2019

RATING TABLE

Model Number	Voltage	Amps(A)	Watts(W)	RFQ
GTDP61200-120	24 V	5	120.00	RFQ

Delivering leading edge, innovative power solutions for more than **30** years....

Model:GTDP61200-120VV

September 19, 2019

SPECIFICATIONS**A) ELECTRICAL SPECIFICATIONS:**

01. Input Voltage: 12~32Vdc
02. Input current: Maximum 7A
03. Output Current(Max.): 5.0A
04. Output Power(Max.): 120W
05. Output Ripple & Noise : 240mV max
06. Efficiency: ≥85%

B) PROTECTION

01. Over voltage protection: autorecovery
02. Limit current protection: Optional
03. Short-circuit protection: autorecovery

C) SAFETY & EMC

01. CE, LVD

D) OTHER:

01. MTBF: 200,000 Hours @ 25°C ambient temperature
02. Operating Temperature: 0°C to 40°C ambient temperature
03. Humidity: 0% to 90% relative humidity
04. Storage Temperature: -20°C to 85°C
05. Cooling: Convection
06. RoHS 2: Complies with EU 2011/65/EU China SJ/T 11363-2006

E) ENCLOSURE

01. Housing: High impact plastic, 94V0 polycarbonate, non-vented
02. Size: 134*54*30.5 mm +/-1.0 mm
03. Markings: Label and/or Pad Printed and/or Molded in the case

Delivering leading edge, innovative power solutions for more than **30** years....

Model:GTDP61200-120VV

September 19, 2019

DERATING CURVE

N/A

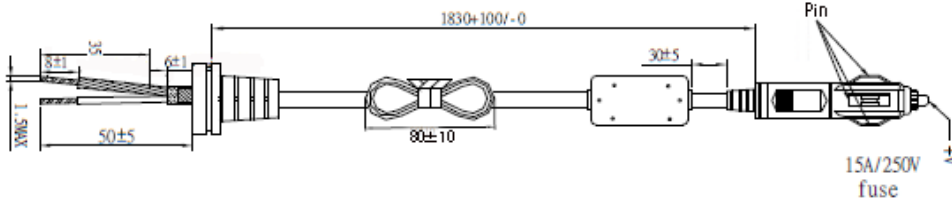
Delivering leading edge, innovative power solutions for more than 30 years....

Model:GTDP61200-120VV

September 19, 2019

Input Configuration

Description Male Cigarette Lighter Plug, UL 1185, 18AWG, 1830 mm for GTDP61200-120VV



Delivering leading edge, innovative power solutions for more than 30 years....

Model:GTDP61200-120VV

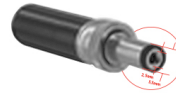
September 19, 2019

Output Configuration

Common output connector options:


 L Type (Coaxial
5.5x2.5mm plug)

 C Type (Coaxial
5.5x2.1mm plug)

 K Type (Coaxial
3.5x1.3mm plug)

 LL Type (5.5x2.5mm
Locking 760k type)

 CL Type (5.5x2.1mm
Locking S761k type)

 ML2 Type (Molex
housing 43025-0200)


YL3 Type (KPPX-3P)



YL4 Type (KPPX-4P)


 EJ1/2/3/4/5 (EIAJ
RC-5320A type
connectors)


MSB Type (Micro USB)


 USBC Type (USB Type
C)

 Inquire for custom
design

 For a comprehensive list of options, [click here](#)

Contact GlobTek for your specific requirements or custom solutions.

Approvals

Logo	Description
	Attention Mark / Refer to operating manual for operating and service instructions
No Logo Applicable	EN 60601-1: 2005 + CORR. 1 (2006) + CORR. 2 (2007)
	Test standard: EN 60601-1: 2005 + CORR. 1 (2006) + CORR. 2 (2007)
	CHINA SJ/T 11364-2014, China RoHS Chart: http://en.globtek.com/globtek-rohs.php
	Declaration ДС № EAЭC N RU Д-US.KA01.B.10453_19 Custom Union of Russia, Belarus and Kazakhstan http://www.globtek.com/redirect/?loc=gost-certificate-eac-declaration
	Indoor Use Only - Mark is on the label or Molded in the case
RoHS	Specifications of directive 2011/65/EU Annex VI (ROHS-2) with amendment 2015/863-EU (ROHS-3) http://www.ce-mark.com/Rohs%20final.pdf
	Japan: Voluntary Control Council for Interference (VCCI)
	WEEE: Complies with EU 2012/19/EU (http://ec.europa.eu/environment/waste/wEEE/index_en.htm) Mark is on the label or Molded in the case