

Delivering leading edge, innovative power solutions for more than **30** years....

Model:GTM21089-W2A

July 16, 2019

GTM21089-W2A

Information

Model Number GTM21089-W2A

Description GTM21089-W2A, Medical Power Supply, Wall Plug-in, Regulated Switchmode AC-DC Power Supply AC Adaptor, , Input Rating: 100-240V~, 50-60 Hz, Australian AS 3112 configuration: SAA 2 pins Class II, Output Rating: 18 Watts, Power rating with convection cooling (W) , 3-24V in 0.1V increments, Approvals: GOST-R; Ukraine; WEEE; CE; China RoHS; VCCI; Double Insulation;

Model Picture



Agency

Documents <http://www.globtek.info/certs/GTM21089/>

CE

EC-Declaration https://www.globtek.com/pdf/ec_declaration/a0Oa000000LNMirEAH

RoHS/RoHS2

Declaration https://www.globtek.com/pdf/rohs_cert/a0Oa000000LNMirEAH

REACH

Declaration https://www.globtek.com/pdf/iso_certificates/REACH.pdf

Conflict

Minerals <https://www.globtek.com/pdf/conflict-minerals.pdf>

Declaration

Delivering leading edge, innovative power solutions for more than **30** years....

Model:GTM21089-W2A

July 16, 2019

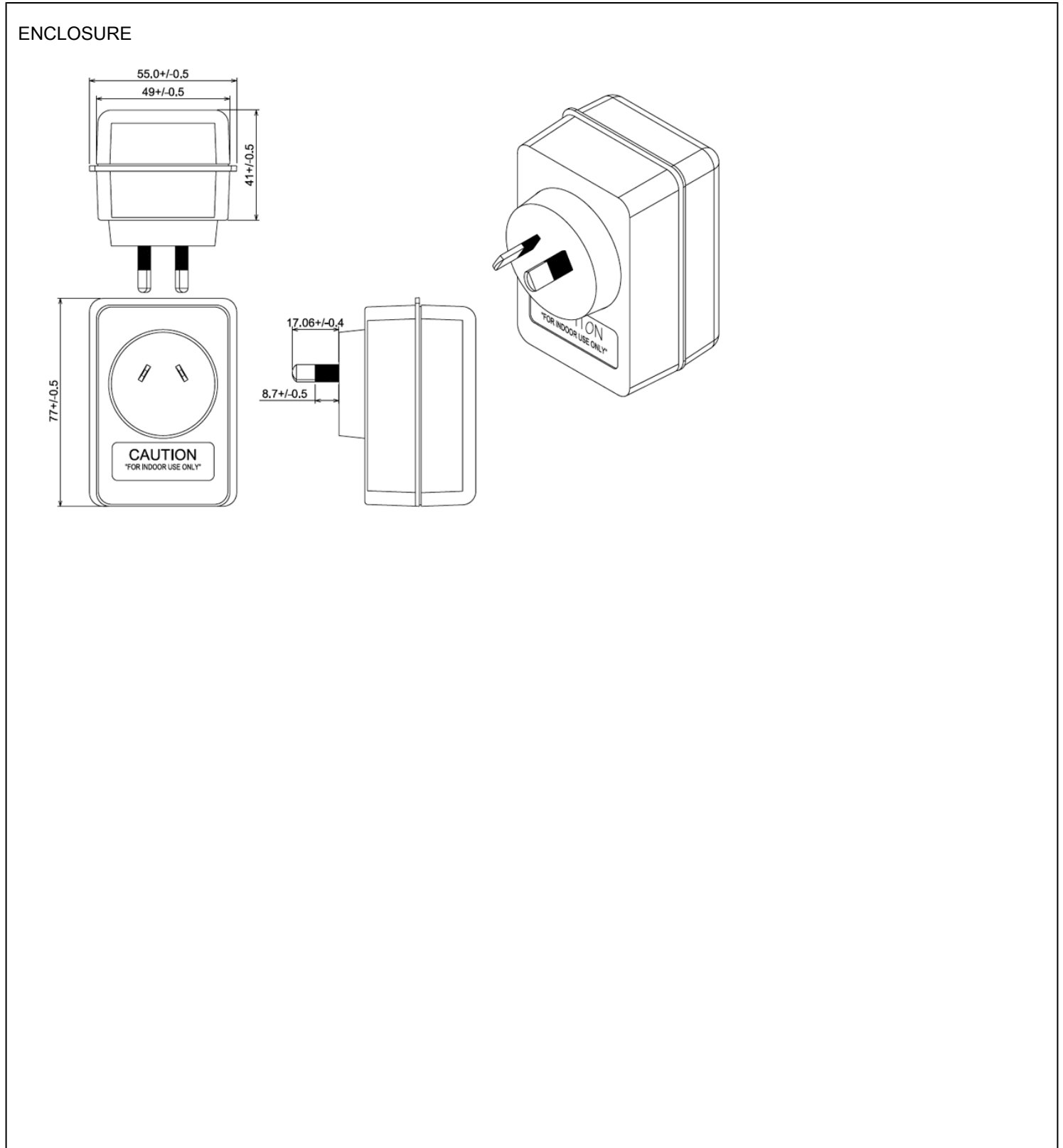
Model Parameters

Type	Wall Plug-in
Technology	Regulated Switchmode AC-DC Power Supply AC Adaptor
Category	Medical Power Supply
Input Voltage	100-240V~, 50-60 Hz
I/P Amps (A)	0.5A MAX
Wattage (W)	18.0
Vout Range (V)	3-24
Efficiency Level	Meets/Exceeds for Medical
Ingress Protection	
Size (mm)	

Delivering leading edge, innovative power solutions for more than 30 years....

Model:GTM21089-W2A

July 16, 2019



Delivering leading edge, innovative power solutions for more than **30** years....

Model:GTM21089-W2A

July 16, 2019

RATING TABLE

Model Number Voltage Amps(A) Watts(W) RFQ

SPECIFICATIONS**A) ELECTRICAL SPECIFICATIONS:**

01. Input Voltage: Specified 90-264 Vac, Nameplate rated: 100-240Vac
02. Input Frequency: Specified 47-63 Hz, Nameplate rated 50-60Hz
03. Output Regulation: +/- 5% measured at the output connector, no minimum load required
04. Line Voltage Regulation: +/- 1% typical measured at full load
05. Output Ripple (Vp-p): 1% or 100 mV whichever is greater, measured at 20 MHz bandwidth with 0.1 uf ceramic capacitor in parallel with a low impedance 47 uf electrolytic capacitor connected at the end of the output connector
06. Turn-ON/OFF: 5% maximum, 1 mS typical recovery time for 25% step load
07. Turn-ON Delay: 1 Sec, typical
08. Hold-Up Time: 10 mS typical @ nominal input voltage and full load
09. Inrush Current: 30A maximum cold start @ 240Vac input
10. Switching Frequency: 100 KHz typical, varies with line and load
11. Efficiency: 75% typical at nominal input and full load

B) PROTECTION

01. Over-Voltage: Limited via crowbar method
02. Short Circuit: Momentary short circuit protected with auto recovery upon removal of short
03. Leakage Current: N/A for Class II units, there is no PE Ground pin, so Earth Leakage current is not measured
04. Touch Current: Maximum allowed values: 100uA NC(Normal condition) 500uA SFC(single fault condition)
05. Over-load: Hiccup with auto recovery
06. Input Protection: Input line and neutral fusing

C) SAFETY

01. Dielectric Withstand Voltage: 5656vdc from primary to secondary
02. Type of protection against electric shock: class II
03. Degree of protection against electric shock: not classified (no applied part)
04. Degree of protection Against ingress of water: IPX0 (ordinary)
05. Degree of safety of application in the presence of flammable anesthetic: not evaluated Mode of operation: continuous
06. Touch Current: Maximum allowed values: 100uA NC(Normal condition) 500uA SFC(single fault condition)

D) OTHER:

01. MTBF: 200,000 Hours @ 25°C ambient temperature
02. Operating Temperature: 0°C to 40°C ambient temperature
03. Storage Temperature: -10°C to 80°C
04. Humidity: 0% to 90% relative humidity
05. ROHS: COMPLIES WITH EU 2011/65/EU AND CHINA SJ/T 11363-2006

E) ENCLOSURE

1. Upper Housing: High impact plastic, 94V0 polycarbonate, non-vented
2. Lower Housing: High impact plastic, 94V0 polycarbonate, non-vented
3. Size: 77*49*41 ± 0.5 mm

Delivering leading edge, innovative power solutions for more than **30** years....

Model:GTM21089-W2A

July 16, 2019

DERATING CURVE

Delivering leading edge, innovative power solutions for more than 30 years....

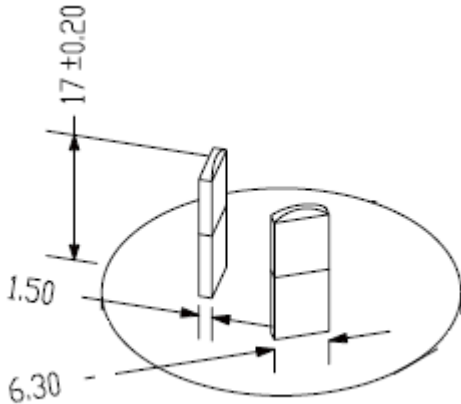
Model:GTM21089-W2A

July 16, 2019

Input Configuration

Description Australian AS 3112 configuration: SAA 2 pins Class II

Used in [Australia](#), [New Zealand](#), [Fiji](#), [Papua New Guinea](#) and [Tokelau](#), has two flat pins forming an inverted V-shape. These flat blades measure 6.3 by 1.5 mm with the Active and Neutral pins of 17 mm in length set 30° to the vertical on a nominal pitch of 13.7 mm. A standard power outlet in Australia provides a nominal voltage of 230 volts at a maximum of 10 amps and always includes an earth connection. As in the UK, its outlets are individually switched for extra safety. [Argentina](#) uses a similar plug, with pins 1 mm longer.



Delivering leading edge, innovative power solutions for more than 30 years....

Model:GTM21089-W2A

July 16, 2019

Output Configuration

Common output connector options:


 L Type (Coaxial
5.5x2.5mm plug)

 C Type (Coaxial
5.5x2.1mm plug)

 K Type (Coaxial
3.5x1.3mm plug)

 LL Type (5.5x2.5mm
Locking 760k type)

 CL Type (5.5x2.1mm
Locking S761k type)

 ML2 Type (Molex
housing 43025-0200)


YL3 Type (KPPX-3P)



YL4 Type (KPPX-4P)


 EJ1/2/3/4/5 (EIAJ
RC-5320A type
connectors)


MSB Type (Micro USB)


 USBC Type (USB Type
C)

 Inquire for custom
design

 For a comprehensive list of options, [click here](#)









Contact GlobTek for your specific requirements or custom solutions.

Delivering leading edge, innovative power solutions for more than **30** years....

Model:GTM21089-W2A

July 16, 2019

Approvals

Logo	Description
	Attention Mark / Refer to operating manual for operating and service instructions
	CE Mark: tested to comply with EN 60601-1-2:2015 Medical electrical equipment Part 1-2: - Mark is on the label or Molded in the case
	CHINA SJ/T 11364-2014, China RoHS Chart: http://en.globtek.com/globtek-rohs.php
	GOST-R mark for Russia(Document: http://www.globtek.com/html/iso_certificates/GT_GOST-R.pdf). 03/15/2015. Due to lack of demand, GlobTek will not be renewing it's GOST certification. Please contact your sales engineer for pricing on EAC.
	Indoor Use Only - Mark is on the label or Molded in the case
	Ukraine UKRSepr (Document: www.globtek.com/html/iso_certificates/GT_Ukraine.pdf)
	Japan: Voluntary Control Council for Interference (VCCI)
	WEEE: Complies with EU 2012/19/EU (http://ec.europa.eu/environment/waste/weee/index_en.htm) Mark is on the label or Molded in the case