

Delivering leading edge, innovative power solutions for more than **30** years....

Model:GTM41061-18VV-Q (IP52)

June 24, 2019

IEC60601-1-11 Home Healthcare Rated Power Supply providing 18W output power and 5-30VDC output options, IP52 and High ESD Ratings of 15kV/8kV

Information

Model Number GTM41061-18VV-Q (IP52)

Description GTM41061-18VV-Q (IP52), Medical Power Supply, 60601-1-4th Ed. , Wall Plug-in, Regulated Switchmode AC-DC Power Supply AC Adaptor, , Input Rating: 100-240V~, 50-60 Hz, Blade Options for Q Series Wall Plug-in Power Supplies, Output Rating: 18 Watts, Power rating with convection cooling (W) , 5-30V in 0.1V increments, Approvals: Book 60601; CB 60601-1 2MOPP; HKSM; Saudi; GOST-R; WEEE; VCCI; Ukraine; S-Mark IEC/EN 60601-1-11; S-Mark IEC/EN 60601-1; RoHS; PSE; LPS; Level V -115 (15V+); IP21; Double Insulation; CB 60601-1; CE; cETLus ES60601; cETLus; cETLus 60601-1 3rd; cETLus; China RoHS;

Model Picture



Agency Documents <http://www.globtek.info/certs/GTM41061/>
CE https://www.globtek.com/pdf/ec_declaration/a0Oa000000LN0DmEAL
EC-Declaration https://www.globtek.com/pdf/rohs_cert/a0Oa000000LN0DmEAL
RoHS/RoHS2 Declaration https://www.globtek.com/pdf/iso_certificates/REACH.pdf
REACH Declaration <https://www.globtek.com/pdf/conflict-minerals.pdf>
Conflict Minerals Declaration

Delivering leading edge, innovative power solutions for more than **30** years....

Model:GTM41061-18VV-Q (IP52)

June 24, 2019

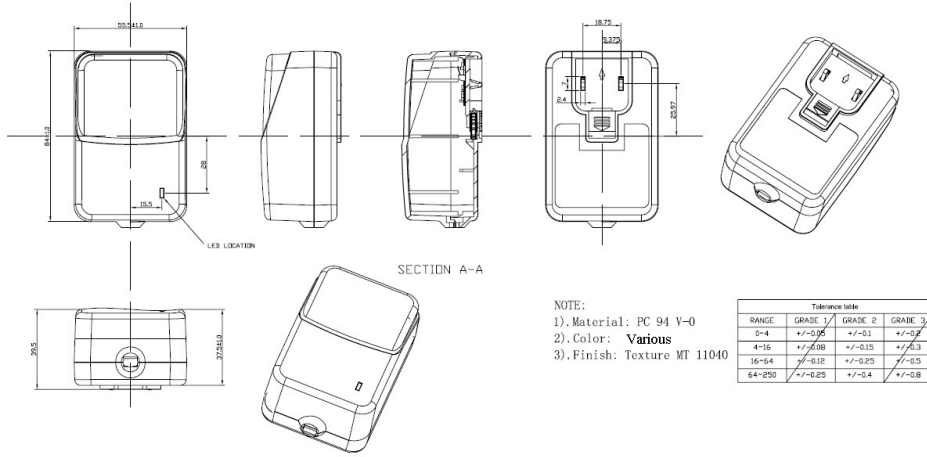
Model Parameters

Type	Wall Plug-in
Technology	Regulated Switchmode AC-DC Power Supply AC Adaptor
Category	Medical Power Supply
Input Voltage	100-240V~, 50-60 Hz
I/P Amps (A)	0.6A
Wattage (W)	18.0
Vout Range (V)	5-30
Efficiency Level	V
Ingress Protection	IP52, IP54 Option available
Size (mm)	84*56*38

Delivering leading edge, innovative power solutions for more than 30 years....

Model:GTM41061-18VV-Q (IP52)

June 24, 2019

ENCLOSURE


Delivering leading edge, innovative power solutions for more than **30** years....

Model:GTM41061-18VV-Q (IP52)

June 24, 2019

RATING TABLE

Model Number Voltage Amps(A) Watts(W) RFQ

Delivering leading edge, innovative power solutions for more than 30 years....

Model:GTM41061-18VV-Q (IP52)

June 24, 2019

SPECIFICATIONS**A) ELECTRICAL SPECIFICATIONS:**

1. Input Voltage: Specified 90-264 Vac, Nameplate rated: 100-240Vac
2. Input Frequency: Specified 47-63 Hz, Nameplate rated 50-60Hz
3. Output Regulation: +/- 5% measured at the output connector
4. Line Voltage Regulation: +/- 1% typical measures at full load
5. Output Ripple (Vp-p): 1% or 150 mV whichever is greater measured at 20 MHz bandwidth with 0.1 uf ceramic capacitor in parallel with 10 uf electrolytic capacitor connected at the end of output connector at nominal line
6. Turn-On/Turn-Off Overshoot: 5% maximum, 1mS typical recovery time for 25% step load
7. Turn-On Delay: 1 second typical
8. Hold-Up Time: 8mS typical @ nominal input voltage & full load
09. Inrush Current: 30A typical @ 115Vac input ; 60A typical @ 230Vac input
10. Switching Frequency: 66.5 KHz typical

B) PROTECTION

1. Over-Voltage: Protected via zener diode across the output
2. Short Circuit: Electronically Protected, unit will recover upon removal of fault
3. Input Protection: Input dual-fusing (for both line and neutral)

C) SAFETY

1. Dielectric Withstand Voltage: 5656 Vdc from primary to secondary
2. Earth Leakage Current: <300uA @ 240Vac input voltage
3. Means of Protection: 2 x MOPP (Means Of Patient Protection)
4. ESD: 8 kV Contact/15kV Air Discharge

D) OTHER:

1. MTBF: 200,000 hours @ 25°C ambient temperature
2. Operating Temperature: 0°C to 40°C ambient temperature
4. Storage Temperature: -10°C to 80°C

E) ENCLOSURE

1. Upper Housing: High impact plastic, 94V0 polycarbonate, non-vented
2. Lower Housing: High impact plastic, 94V0 polycarbonate, non-vented
3. Size: 84.0* 56.0*37.9 mm +/-1.0
4. Green LED "ON" indicates output power "Available"

Delivering leading edge, innovative power solutions for more than **30** years....

Model:GTM41061-18VV-Q (IP52)

June 24, 2019

DERATING CURVE

Delivering leading edge, innovative power solutions for more than 30 years....

Model:GTM41061-18VV-Q (IP52)

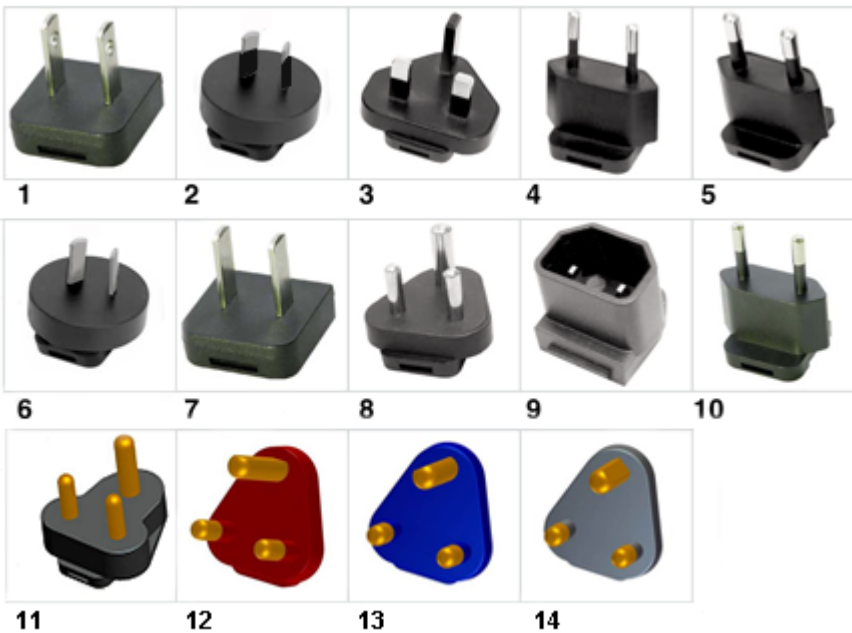
June 24, 2019

Input Configuration

Description Blade Options for Q Series Wall Plug-in Power Supplies

 Data Sheet: <http://en.globtek.com/interchangeable-blades.php>

 Insertion Instructions: <http://www.globtek.com/pdf/Instructions-Interchangeable-Blades.pdf>

 Video: [Q-Blade Style Instruction Video](#)


INPUT CONNECTOR: Q-Socket (below are available blades configurations which are "not included" (unless stated above); can be purchased separately, package with power supply or as a separate "Q-KIT" if specified

- 01. United States / Canada / Japan NEMA 1-15P/IEC PLUG A [WORKS IN PLUG B] configuration: NA 2 blades, Class II; US/CA/JP P/N: Q-NA(R)
- 02. Australian AS 3112 configuration: SAA 2 blade/IEC TYPE I, Class II; AU P/N: Q-SAA(R)
- 03. UK BS 1363 configuration: UK 3 blade with dummy Ground/IEC TYPE G, Class II; GB P/N: Q-UK(R)
- 04. European CEE 7/16 configuration: Europlug 2 pins/IEC TYPE C [WORKS IN TYPE E&F], Class II; EU P/N: Q-EU(R)
- 05. Korean KS C8305 configuration: 2 pins/SIMILAR TO IEC TYPE C, Class II; KR P/N: Q-KR(R)
- 06. Argentina IRAM 2073 configuration: 2 blades/SIMILAR TO IEC TYPE I; AR P/N: Class II Q-AR(R)
- 07. China GB 2099 configuration: 2 blades/SIMILAR TO TYPE A, Class II; CN P/N: Q-CN(R)
- 08. India IS 1293 6A/BS546 configuration: 5A, 3 pins with Dummy Ground, Class II/IEC TYPE D; IN P/N: Q-IN(R)
- 09. IEC320/C18 Inlet, Class II; P/N: Q-C18(R)
- 10. Brazilian NBR6147 configuration: 2 pins, Class II; SIMILAR TO IEC TYPE C BR P/N: Q-BR(R)
- 11. South Africa SABS164-1, 3 round prongs, Class II + dummy ground, IEC TYPE M P/N: Q-SANS164-1-16A(R)
- 12. South Africa SABS164-4, 3 round prongs with a notched prong @ 0°, Class II + dummy ground, IEC TYPE M Red, P/N: Q-SANS164-4L-16A(R)

Delivering leading edge, innovative power solutions for more than **30** years....

Model:GTM41061-18VV-Q (IP52)

June 24, 2019

13. South Africa SABS164-4, 3 round prongs with a notched prong @ -53°, Class II + dummy ground, Blue, IEC TYPE M, P/N:
Q-SANS164-4C-16A(R)
14. South Africa SABS164-4, 3 round prongs with a notched prong @ +53°, Class II + dummy ground, Black, IEC TYPE M P/N:
Q-SANS164-4R-16A(R)

Kits

- 01. Q-KIT: 1,2,3,4 above
- 02. Q-KIT-INTL: 2,3,4 above
- 03. Q-KIT-6: 1,2,3,4,5,6 above
- 04. Q-KIT-7: 1,2,3,4,5,6,7 above
- 05. Q-KIT-8: 1,2,3,4,5,6,7,8 above

Delivering leading edge, innovative power solutions for more than 30 years....

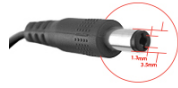
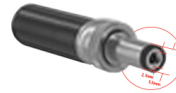
Model:GTM41061-18VV-Q (IP52)

June 24, 2019

Output Configuration

Common output connector options:


 L Type (Coaxial
5.5x2.5mm plug)

 C Type (Coaxial
5.5x2.1mm plug)

 K Type (Coaxial
3.5x1.3mm plug)

 LL Type (5.5x2.5mm
Locking 760k type)

 CL Type (5.5x2.1mm
Locking S761k type)

 ML2 Type (Molex
housing 43025-0200)


YL3 Type (KPPX-3P)



YL4 Type (KPPX-4P)


 EJ1/2/3/4/5 (EIAJ
RC-5320A type
connectors)


MSB Type (Micro USB)


 USBC Type (USB Type
C)

 Inquire for custom
design

 For a comprehensive list of options, [click here](#)

Contact GlobTek for your specific requirements or custom solutions.

Delivering leading edge, innovative power solutions for more than 30 years....

Model:GTM41061-18VV-Q (IP52)

June 24, 2019

Approvals

Logo	Description
	60601-1 3rd Operating Instructions
No Logo Applicable	CB report IEC 60601-1: 2005 + CORR. 1 (2006) + CORR. 2 (2007) and or EN 60601-1:2006 3rd Edition 2xMOPP
No Logo Applicable	CB Report to IEC 60601-1-11 (First Edition): 2010 EN 60601-1-11:2010
No Logo Applicable	
	CE Mark: tested to comply with EN 60601-1-2:2015 Medical electrical equipment Part 1-2: - Mark is on the label or Molded in the case
Conforms to ANSI/AAMI ES 60601-1:2005	cETLus ANSI_AAMI ES60601-1_2005
Cert.to CAN/CSA Std. C22.2	
Conforms to ANSI/UL Std. 60950-1	Conforms to ANSI/UL Std. 60950-1 2nd Edition
Cert.to CAN/CSA Std. C22.2 NO. 60950-1	Cert. to CAN/CSA Std.C22.2 NO.60950-1 2nd Edition
	cETLus-Cert-4007497 ANSI/AAMI ES60601-1:2005 with AMD C1: 2009, AMD C2: 2010 and CAN/CSA-C22.2 No. 60601-1 2008 with COR 2:2011+ANSI/AAMI HA60601-1-11 Ed:1
	cETLus-Cert-60950-1 4007497 Listed
	CHINA SJ/T 11364-2014, China RoHS Chart: http://en.globtek.com/globtek-rohs.php
	GOST-R mark for Russia(Document: http://www.globtek.com/html/iso_certificates/GT_GOST-R.pdf). 03/15/2015. Due to lack of demand, GlobTek will not be renewing it's GOST certification. Please contact your sales engineer for pricing on EAC.
	Hong Kong Safety Mark License IEC60950-1:2005 + A1:2009
L00480 A -1	
	Indoor Use Only - Mark is on the label or Molded in the case
IP21	Ingress Protection: IP21 to IEC60529:2001 Protected against solids objects over 12mm and Protected against vertically falling drops of water
	Efficiency: complies to section 301 of Energy Independence and Security Act (EISA) complies with Energy Star tier 2 (North America), ECP tier 2 (China), MEPS tier 2 (Australia), Code of Conduct (Europe) for 15V output designs and higher
115 LPS	Limited Power Source

Delivering leading edge, innovative power solutions for more than 30 years....

Model:GTM41061-18VV-Q (IP52)

June 24, 2019



GlobTek, Inc.

JAPAN TUV Rheinland-PSE GlobTek Inc to J60950-1(H26) , J55022(H22),J3000(H25).Please follow the procedure listed in the following link for proper import to Japan: <http://en.globtek.com/importing-to-japan.php>.

RoHS

Specifications of directive 2011/65/EU Annex VI (ROHS-2) with amendment 2015/863-EU (ROHS-3)
<http://www.ce-mark.com/Rohs%20final.pdf>

Intertek
IEC/EN60601-1

Semko S-Mark-Cert-EN60601-1 3rd Edition (<http://www.intertek.com/marks/s/>)

Intertek
IEC/EN60601-1

S-Mark-Cert to IEC 60601-1-11 (First Edition): 2010 EN 60601-1-11:2010 (<http://www.intertek.com/marks/s/>)

إمدادات الطاقة

Saudi Arabia approval to IEC 60950-2005



10276

Ukraine UKRSepro (Document: www.globtek.com/html/iso_certificates/GT_Ukraine.pdf)



Keep Dry



Japan: Voluntary Control Council for Interference (VCCI)



WEEE: Complies with EU 2012/19/EU (http://ec.europa.eu/environment/waste/weee/index_en.htm)
Mark is on the label or Molded in the case