

Delivering leading edge, innovative power solutions for more than **30** years....

Model:GT-81083-05xx-W2U

May 20, 2019

## GT-81083-05xx-W2U

### Information

Model Number GT-81083-05xx-W2U

Description GT-81083-05xx-W2U, ITE Power Supply, Wall Plug-in, Regulated Switchmode AC-DC Power Supply AC Adaptor, , Input Rating: 100-240V~, 50-60 Hz, UK BS 1363, 2 Blade w/Dummy Ground Class II, Output Rating: 5 Watts, Power rating with convection cooling (W) , 3-13V in 0.1V increments, Approvals: Designed to meet EN 60601-1; LPS; IP41; CB 60950; Double Insulation; China RoHS; Ukraine; GOST-R; Level IV 115V; CE; RoHS; WEEE; cUL 60950;

Model Picture



Agency

Documents <http://www.globtek.info/certs/GT-81083/>

CE

EC-Declaration [https://www.globtek.com/pdf/ec\\_declaration/a0Oa000000HTa4vEAD](https://www.globtek.com/pdf/ec_declaration/a0Oa000000HTa4vEAD)

RoHS/RoHS2

Declaration [https://www.globtek.com/pdf/rohs\\_cert/a0Oa000000HTa4vEAD](https://www.globtek.com/pdf/rohs_cert/a0Oa000000HTa4vEAD)

REACH

Declaration [https://www.globtek.com/pdf/iso\\_certificates/REACH.pdf](https://www.globtek.com/pdf/iso_certificates/REACH.pdf)

Conflict

Minerals <https://www.globtek.com/pdf/conflict-minerals.pdf>

Declaration

Delivering leading edge, innovative power solutions for more than **30** years....

Model:GT-81083-05xx-W2U

May 20, 2019

**Model Parameters**

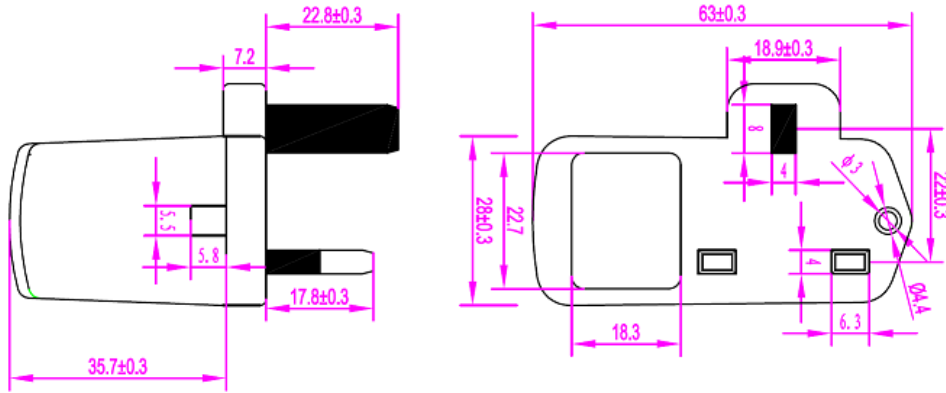
Type	Wall Plug-in
Technology	Regulated Switchmode AC-DC Power Supply AC Adaptor
Category	ITE Power Supply
Input Voltage	100-240V~, 50-60 Hz
I/P Amps (A)	0.2A
Wattage (W)	5.0
Vout Range (V)	3-13
Efficiency Level	IV
Ingress Protection	IP41
Size (mm)	66*41*49.05

Delivering leading edge, innovative power solutions for more than **30** years....

Model:GT-81083-05xx-W2U

May 20, 2019

ENCLOSURE



Delivering leading edge, innovative power solutions for more than **30** years....

Model:GT-81083-05xx-W2U

May 20, 2019

**RATING TABLE**

Model Number	Voltage	Amps(A)	Watts(W)	RFQ
GT-81083-0404-0.7-W2U	3.3 V	1.21	3.99	<a href="#">RFQ</a>
GT-81083-0506-1.0-W2U	5 V	1	5.00	<a href="#">RFQ</a>
GT-81083-0506-W2U	6 V	0.83	4.98	<a href="#">RFQ</a>
GT-81083-0509-1.0-W2U	8 V	0.63	5.04	<a href="#">RFQ</a>
GT-81083-0509-W2U	9 V	0.55	4.95	<a href="#">RFQ</a>
GT-81083-0513-W2U	13 V	0.83	10.79	<a href="#">RFQ</a>

Delivering leading edge, innovative power solutions for more than **30** years....

Model:GT-81083-05xx-W2U

May 20, 2019

**SPECIFICATIONS****A) ELECTRICAL SPECIFICATIONS:**

01. Input Voltage: 90-264 Vac
02. Input Frequency: 47 - 63 Hz
03. Output Regulation: +/- 5% measured at the output connector
04. Line Voltage Regulation: +/- 2% typical measures at full load
05. Output Ripple (Vp-p): 100 mV measured at 20 MHz bandwidth with 0.1 uf ceramic capacitor in parallel with 10 uf electrolytic capacitor connected at the end of output connector at nominal line
06. Turn-On/Turn-Off Overshoot: 5% maximum, 1mS typical recovery time for 25% step load
07. Turn-On Delay: <2 second typical
08. Hold-Up Time: 5mS typical @ nominal input voltage & full load
09. Inrush Current: 30A typical @ 115Vac input ; 60A typical @ 230Vac input
10. Switching Frequency: 65 KHz typical

**B) PROTECTION**

1. Over-Voltage: Electronically Protected, unit will recover upon removal of fault
2. Short Circuit: Electronically Protected, unit will recover upon removal of fault
3. Input Protection: Input line fusing

**C) SAFETY**

1. Dielectric Withstand Voltage: 4242Vdc from primary to secondary
2. Earth Leakage Current: <0.25 mA @ nominal input voltage

**D) OTHER:**

1. MTBF: 200,000 hours @ 25°C ambient temperature
2. Operating Temperature: 0°C to 40°C ambient temperature
3. Humidity: 0% to 90% relative humidity
4. Storage Temperature: 20°C to 80°C

**E) ENCLOSURE**

1. Upper Housing: High impact plastic, 94V0 polycarbonate, non-vented
2. Lower Housing: High impact plastic, 94V0 polycarbonate, non-vented
3. Size: 66\*41\*49.05 mm +/-1.0

Delivering leading edge, innovative power solutions for more than **30** years....

Model:GT-81083-05xx-W2U

May 20, 2019

DERATING CURVE

Delivering leading edge, innovative power solutions for more than 30 years....

Model:GT-81083-05xx-W2U

May 20, 2019

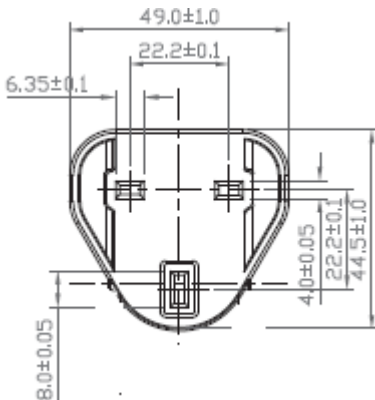
### Input Configuration

Description UK BS 1363, 2 Blade w/Dummy Ground Class II

The line and neutral pins have a rectangular cross section 6.35 mm by 4.0 mm, 17.7 mm long and with centres 22.2 mm apart. The protective-earth pin is a rectangular cross section 8.0 mm by 4.0 mm, 22.3 mm long and with a centre line 22.2 mm from the line/neutral pin centre line. The dimensions were originally specified in decimal inches with asymmetric tolerances and redefined as minimum and maximum metric dimensions in BS 1363:1984.

Dimensions are chosen to provide safe clearance to live parts. The distance from any part of the line and neutral pins to the periphery of the plug base must be not less than 9.5 mm. This ensures that nothing can be inserted alongside a pin when the plug is in use, and helps keep fingers away from the pins. The minimum insertion distance from the face of the socket-outlet to the first point of contact with a live part is 9.6 mm.

The "Dummy" longer earth pin ensures that the earth path is connected before the live pins, and remains connected after the live pins are removed. The earth pin is too large to be inserted into the line or neutral sockets by mistake.



Delivering leading edge, innovative power solutions for more than 30 years....

Model:GT-81083-05xx-W2U

May 20, 2019

**Output Configuration**

Common output connector options:


 L Type (Coaxial  
5.5x2.5mm plug)

 C Type (Coaxial  
5.5x2.1mm plug)

 K Type (Coaxial  
3.5x1.3mm plug)

 LL Type (5.5x2.5mm  
Locking 760k type)

 CL Type (5.5x2.1mm  
Locking S761k type)

 ML2 Type (Molex  
housing 43025-0200)


YL3 Type (KPPX-3P)



YL4 Type (KPPX-4P)


 EJ1/2/3/4/5 (EIAJ  
RC-5320A type  
connectors)


MSB Type (Micro USB)


 USBC Type (USB Type  
C)

 Inquire for custom  
design

 For a comprehensive list of options, [click here](#)

Contact GlobTek for your specific requirements or custom solutions.











Delivering leading edge, innovative power solutions for more than 30 years....

Model:GT-81083-05xx-W2U

May 20, 2019

## Approvals

Logo	Description
No Logo	CB Certificate IEC 60950-1:2005 (2nd Edition), Am 1: 2009, CB report IEC 60950-1:2005 (2nd Edition), Am 1: 2009 and EN 60950-1:2006 + Am 1:2010 + Am 11:2009 + Am 12:2011
	CE Certification Class II CE Mark: tested to comply with EN55022:2006/A1:2007 Class B, EN610003-2, EN610003-3 including EN61000-4-2, EN61000-4-3, EN61000-4-4, EN61000-4-5, EN61000-4-6N EN61000-4-11; EMI: Complies with EN55011 CLASS B and FCC Part 15 B
	CHINA SJ/T 11364-2014, China RoHS Chart: <a href="http://en.globtek.com/globtek-rohs.php">http://en.globtek.com/globtek-rohs.php</a>
	UL60950-1, cULus to UL 60950-1, 1st Edition, 2007-10-31 and CSA C22.2 No. 60950-1-03, 1st Edition, 2006-07
No Logo	Designed to meet EN 60601-1:2006 + A11:2011 +A1:2013 3rd Edition
	GOST-R mark for Russia(Document: <a href="http://www.globtek.com/html/iso_certificates/GT_GOST-R.pdf">http://www.globtek.com/html/iso_certificates/GT_GOST-R.pdf</a> ). 03/15/2015. Due to lack of demand, GlobTek will not be renewing it's GOST certification. Please contact your sales engineer for pricing on EAC.
	Indoor Use Only - Mark is on the label or Molded in the case
IP41	Ingress Protection: ?IP41 to IEC60529:2001 Protection against granular foreign bodies - Protected against vertically falling drops of water
EFFICIENCY LEVEL  115V	Efficiency: complies to section 301 of Energy Independence and Security Act (EISA) complies with Energy Star tier 2 (North America), ECP tier 2 (China), MEPS tier 2 (Australia), Code of Conduct (Europe)
LPS	Limited Power Source
RoHS	Specifications of directive 2011/65/EU Annex VI (ROHS-2) with amendment 2015/863-EU (ROHS-3) <a href="http://www.ce-mark.com/Rohs%20final.pdf">http://www.ce-mark.com/Rohs%20final.pdf</a>
	Ukraine UKRSepro (Document: <a href="http://www.globtek.com/html/iso_certificates/GT_Ukraine.pdf">www.globtek.com/html/iso_certificates/GT_Ukraine.pdf</a> )
10276	WEEE: Complies with EU 2012/19/EU ( <a href="http://ec.europa.eu/environment/waste/weee/index_en.htm">http://ec.europa.eu/environment/waste/weee/index_en.htm</a> )
	Mark is on the label or Molded in the case