

Delivering leading edge, innovative power solutions for more than **30** years....

Model:GT-86181-WWV.V-W2U

September 19, 2019

GT-86181-WWV.V-W2U

Information

Model Number GT-86181-WWV.V-W2U

Description GT-86181-WWV.V-W2U, ITE Power Supply, Wall Plug-in, Regulated Switchmode AC-DC Power Supply AC Adaptor, , Input Rating: 100-240V~, 50-60 Hz, UK BS 1363, 2 Blade w/Dummy Ground Class II, Output Rating: 18 Watts, Power rating with convection cooling (W) , 9-12, 15-18V in 0.1V increments, Approvals: EAC;

Model Picture



Agency

Documents <http://www.globtek.info/certs/GT-86181-W2/>

CE

EC-Declaration https://www.globtek.com/pdf/ec_declaration/a0Oa000000FliOBEAZ

RoHS/RoHS2

Declaration https://www.globtek.com/pdf/rohs_cert/a0Oa000000FliOBEAZ

REACH

Declaration https://www.globtek.com/pdf/iso_certificates/REACH.pdf

Conflict

Minerals <https://www.globtek.com/pdf/conflict-minerals.pdf>

Declaration

Delivering leading edge, innovative power solutions for more than **30** years....

Model:GT-86181-WWV.V-W2U

September 19, 2019

Model Parameters

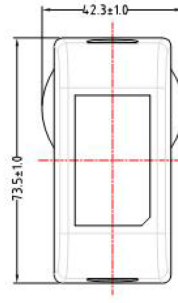
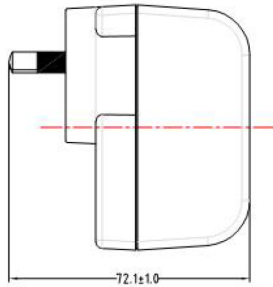
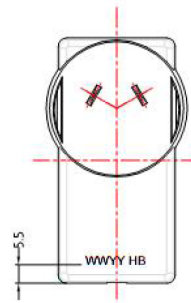
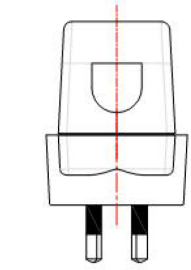
Type	Wall Plug-in
Technology	Regulated Switchmode AC-DC Power Supply AC Adaptor
Category	ITE Power Supply
Input Voltage	100-240V~, 50-60 Hz
I/P Amps (A)	0.6 A
Wattage (W)	18.0
Vout Range (V)	9-12, 15-18
Efficiency Level	VI
Ingress Protection	Indoor Use
Size (mm)	73.5 (L) * 49.9 (W) * 54(H) max

Delivering leading edge, innovative power solutions for more than **30** years....

Model:GT-86181-WWV.V-W2U

September 19, 2019

ENCLOSURE



Date Code:WWYYHB
WW:Week
YY:Year
HB:lead Free Products

Delivering leading edge, innovative power solutions for more than **30** years....

Model:GT-86181-WWV.V-W2U

September 19, 2019

RATING TABLE

Model Number	Voltage	Amps(A)	Watts(W)	RFQ
GT-86181-1809 -W2U9 V	2		18.00	RFQ
GT-86181-1810 -W2U10 V	1.8		18.00	RFQ
GT-86181-1811 -W2U11 V	1.636		18.00	RFQ
GT-86181-1812 -W2U12 V	1.5		18.00	RFQ
GT-86181-1815 -W2U15 V	1.2		18.00	RFQ
GT-86181-1816 -W2U16 V	1.125		18.00	RFQ
GT-86181-1817 -W2U17 V	1.058		17.99	RFQ
GT-86181-1818 -W2U18 V	1		18.00	RFQ

Delivering leading edge, innovative power solutions for more than 30 years....

Model:GT-86181-WWV.V-W2U

September 19, 2019

SPECIFICATIONS**A) ELECTRICAL SPECIFICATIONS:**

01. Input Voltage: Specified 90-264 Vac, Nameplate rated: 100-240Vac
02. Input Frequency: Specified 47-63 Hz, Nameplate rated 50-60Hz
03. Inrush Current: at full load, 25° C, cold start
04. Efficiency: Compliant with Efficiency Level VI and CoC Tier 2 standards
05. No Load Standby Power: <0.075W @ 230Vac
06. Line regulation: $\pm 2\%$ At nominal input voltage and full load
07. Total output regulation: $\pm 5\%$
08. Output Voltage: Tolerance $\pm 5\%$
09. Turn On Delay: 3 Seconds maximum at nominal input Voltage
10. Hold Up Time: 5ms min at nominal Input Voltage
11. Ripple Voltage: 300 mVp-p At 20 MHz, and output parallel with Low Impedance 0.1uF & 47uF capacitors. Temperature at 25°C, and nominal input voltage

B) PROTECTION

01. Over voltage protection: Output shut down and auto restart
02. Short circuit protection: The adapter shall not be damaged by short the DC output to Ground
03. Over Load Protection: Output shut down and auto restart

C) SAFETY

01. HI-POT : Input to output : 3000VAC or 4242VDC 10mA 1 minute
02. Leakage current: 0.25mA maximum, at nominal AC input voltage and frequency
03. ESD: 8KV(air) / 4KV (contact)

D) OTHER:

01. MTBF: 200,000 Hours @ 25°C ambient temperature
02. Operating Temperature: 0°C to 40°C ambient temperature
03. Humidity Operating : 20% to 85%
04. Storage Temperature: -20°C to 60°C
05. RoHS 2: Complies with EU 2011/65/EU and China GB/T26572-2011

E) ENCLOSURE

01. Housing: High impact plastic, 94V0 polycarbonate, non-vented
02. Size: 74.5 (L) * 36 (W) * 46(H) mm maximum
03. Weight : 107.0 g $\pm 15\%$
04. Markings: Label and/or Pad Printed and/or Molded in the case

Delivering leading edge, innovative power solutions for more than 30 years....

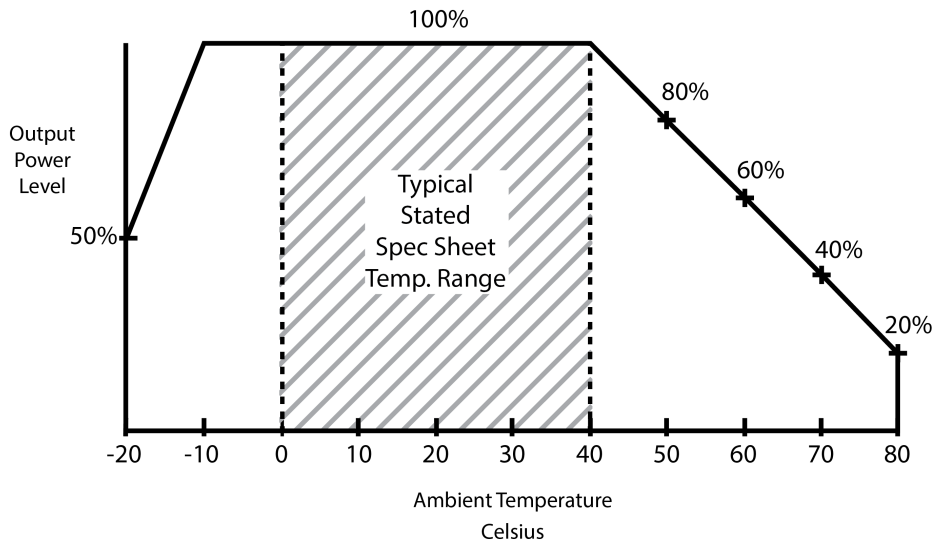
Model:GT-86181-WVV.V-W2U

September 19, 2019

DERATING CURVE

**Typical External
Power Supply Derating Curve**

(For Efficiency Level V and Efficiency Level VI Products)



w2

Delivering leading edge, innovative power solutions for more than 30 years....

Model:GT-86181-WWV.V-W2U

September 19, 2019

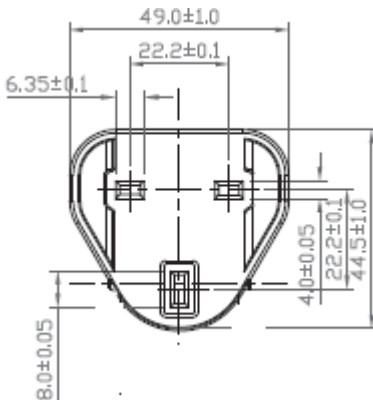
Input Configuration

DescriptionUK BS 1363, 2 Blade w/Dummy Ground Class II

The line and neutral pins have a rectangular cross section 6.35 mm by 4.0 mm, 17.7 mm long and with centres 22.2 mm apart. The protective-earth pin is a rectangular cross section 8.0 mm by 4.0 mm, 22.3 mm long and with a centre line 22.2 mm from the line/neutral pin centre line. The dimensions were originally specified in decimal inches with asymmetric tolerances and redefined as minimum and maximum metric dimensions in BS 1363:1984.

Dimensions are chosen to provide safe clearance to live parts. The distance from any part of the line and neutral pins to the periphery of the plug base must be not less than 9.5 mm. This ensures that nothing can be inserted alongside a pin when the plug is in use, and helps keep fingers away from the pins. The minimum insertion distance from the face of the socket-outlet to the first point of contact with a live part is 9.6 mm.

The "Dummy" longer earth pin ensures that the earth path is connected before the live pins, and remains connected after the live pins are removed. The earth pin is too large to be inserted into the line or neutral sockets by mistake.



Delivering leading edge, innovative power solutions for more than 30 years....

Model:GT-86181-WVV.V-W2U

September 19, 2019

Output Configuration

Common output connector options:


 L Type (Coaxial
5.5x2.5mm plug)

 C Type (Coaxial
5.5x2.1mm plug)

 K Type (Coaxial
3.5x1.3mm plug)

 LL Type (5.5x2.5mm
Locking 760k type)

 CL Type (5.5x2.1mm
Locking S761k type)

 ML2 Type (Molex
housing 43025-0200)


YL3 Type (KPPX-3P)



YL4 Type (KPPX-4P)


 EJ1/2/3/4/5 (EIAJ
RC-5320A type
connectors)


MSB Type (Micro USB)


 USBC Type (USB Type
C)

 Inquire for custom
design

 For a comprehensive list of options, [click here](#)

Contact GlobTek for your specific requirements or custom solutions.

Delivering leading edge, innovative power solutions for more than **30** years....

Model:GT-86181-WWV.V-W2U

September 19, 2019

Approvals

Logo

Description



Declaration ДС № EAЭC N RU Д-US.KA01.B.10453_19 Custom Union of Russia, Belarus and Kazakhstan
<http://www.globtek.com/redirect/?loc=gost-certificate-eac-declaration>