

Delivering leading edge, innovative power solutions for more than **30** years....

Model:GT-86181-WWV.V-W2C

September 19, 2019

## GT-86181-WWV.V-W2C

### Information

Model Number GT-86181-WWV.V-W2C

Description GT-86181-WWV.V-W2C, ITE Power Supply, Wall Plug-in, Regulated Switchmode AC-DC Power Supply AC Adaptor, , Input Rating: 100-240V~, 50-60 Hz, NEMA 1-15P, North America Blades, Class II 2 Conductors, Output Rating: 18 Watts, Power rating with convection cooling (W) , 9-12, 15-18V in 0.1V increments, Approvals: EAC;

### Model Picture



Agency Documents <http://www.globtek.info/certs/GT-86181-W2/>

CE Declaration [https://www.globtek.com/pdf/ec\\_declaration/a0Oa000000FiINXEAZ](https://www.globtek.com/pdf/ec_declaration/a0Oa000000FiINXEAZ)

RoHS/RoHS2 Declaration [https://www.globtek.com/pdf/rohs\\_cert/a0Oa000000FiINXEAZ](https://www.globtek.com/pdf/rohs_cert/a0Oa000000FiINXEAZ)

REACH Declaration [https://www.globtek.com/pdf/iso\\_certificates/REACH.pdf](https://www.globtek.com/pdf/iso_certificates/REACH.pdf)

Conflict Minerals Declaration <https://www.globtek.com/pdf/conflict-minerals.pdf>

Delivering leading edge, innovative power solutions for more than **30** years....

Model:GT-86181-WWV.V-W2C

September 19, 2019

**Model Parameters**

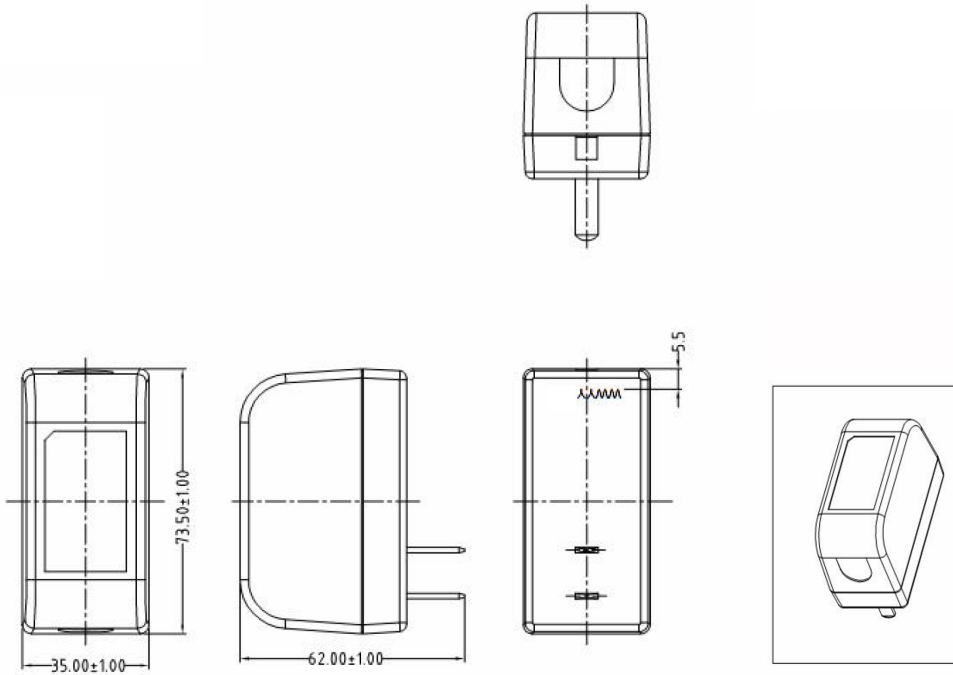
Type	Wall Plug-in
Technology	Regulated Switchmode AC-DC Power Supply AC Adaptor
Category	ITE Power Supply
Input Voltage	100-240V~, 50-60 Hz
I/P Amps (A)	0.6 A
Wattage (W)	18.0
Vout Range (V)	9-12, 15-18
Efficiency Level	VI
Ingress Protection	Indoor Use
Size (mm)	74.5 (L) * 36 (W) * 47(H) max

Delivering leading edge, innovative power solutions for more than **30** years....

Model:GT-86181-WWV.V-W2C

September 19, 2019

ENCLOSURE



Delivering leading edge, innovative power solutions for more than **30** years....

Model:GT-86181-WWV.V-W2C

September 19, 2019

**RATING TABLE**

Model Number	Voltage	Amps(A)	Watts(W)	RFQ
GT-86181-1809 -W2C9 V	2		18.00	<a href="#">RFQ</a>
GT-86181-1810 -W2C10 V	1.8		18.00	<a href="#">RFQ</a>
GT-86181-1811 -W2C11 V	1.636		18.00	<a href="#">RFQ</a>
GT-86181-1812 -W2C12 V	1.5		18.00	<a href="#">RFQ</a>
GT-86181-1815 -W2C15 V	1.2		18.00	<a href="#">RFQ</a>
GT-86181-1816 -W2C16 V	1.125		18.00	<a href="#">RFQ</a>
GT-86181-1817 -W2C17 V	1.058		17.99	<a href="#">RFQ</a>
GT-86181-1818 -W2C18 V	1		18.00	<a href="#">RFQ</a>

Delivering leading edge, innovative power solutions for more than 30 years....

Model:GT-86181-WWV.V-W2C

September 19, 2019

## SPECIFICATIONS

### A) ELECTRICAL SPECIFICATIONS:

01. Input Voltage: Specified 90-264 Vac, Nameplate rated: 100-240Vac
02. Input Frequency: Specified 47-63 Hz, Nameplate rated 50-60Hz
03. Inrush Current: at full load, 25° C, cold start
04. Efficiency: Compliant with Efficiency Level VI and CoC Tier 2 standards
05. No Load Standby Power: <0.075W @ 230Vac
06. Line regulation:  $\pm 2\%$  At nominal input voltage and full load
07. Total output regulation:  $\pm 5\%$
08. Output Voltage: Tolerance  $\pm 5\%$
09. Turn On Delay: 3 Seconds maximum at nominal input Voltage
10. Hold Up Time: 5ms min at nominal Input Voltage
11. Ripple Voltage: 300 mVp-p At 20 MHz, and output parallel with Low Impedance 0.1uF & 47uF capacitors. Temperature at 25°C, and nominal input voltage

### B) PROTECTION

01. Over voltage protection: Output shut down and auto restart
02. Short circuit protection: The adapter shall not be damaged by short the DC output to Ground
03. Over Load Protection: Output shut down and auto restart

### C) SAFETY

01. HI-POT : Input to output : 3000VAC or 4242VDC 10mA 1 minute
02. Leakage current: 0.25mA maximum, at nominal AC input voltage and frequency
03. ESD: 8KV(air) / 4KV (contact)

### D) OTHER:

01. MTBF: 200,000 Hours @ 25°C ambient temperature
02. Operating Temperature: 0°C to 40°C ambient temperature
03. Humidity Operating : 20% to 85%
04. Storage Temperature: -20°C to 60°C
05. RoHS 2: Complies with EU 2011/65/EU and China GB/T26572-2011

### E) ENCLOSURE

01. Housing: High impact plastic, 94V0 polycarbonate, non-vented
02. Size: 74.5 (L) \* 36 (W) \* 46(H) mm maximum
03. Weight : 107.0 g  $\pm 15\%$
04. Markings: Label and/or Pad Printed and/or Molded in the case

Delivering leading edge, innovative power solutions for more than 30 years....

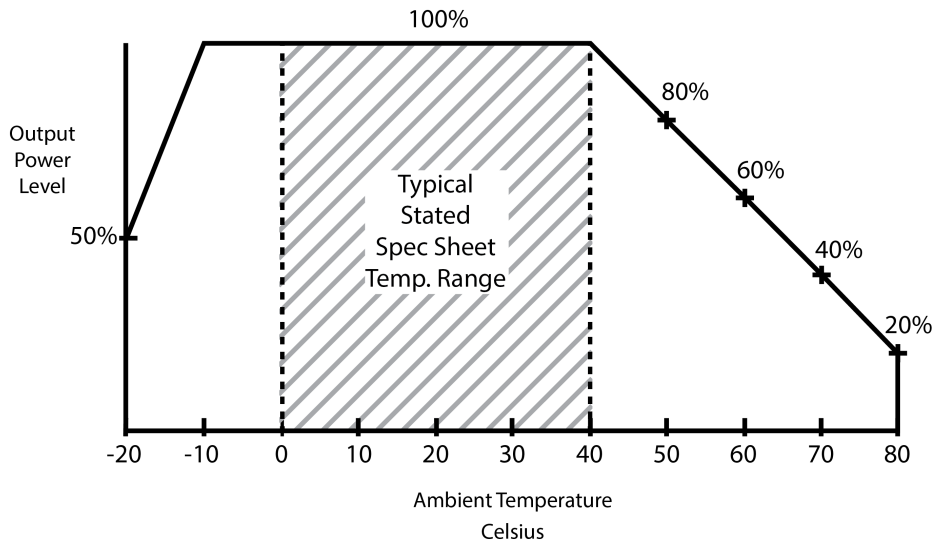
Model:GT-86181-WWV.V-W2C

September 19, 2019

DERATING CURVE

**Typical External  
Power Supply Derating Curve**

(For Efficiency Level V and Efficiency Level VI Products)



w2

Delivering leading edge, innovative power solutions for more than **30** years....

Model:GT-86181-WWV.V-W2C

September 19, 2019

### Input Configuration

Description NEMA 1-15P, North America Blades, Class II 2 Conductors

All NEMA 1 devices are two-wire non-grounding devices (hot-neutral) rated for 125 V maximum. NEMA 1-15P plugs have two parallel flat blades, 0.25 inches (6.35 mm) wide, 0.06 inches (1.524 mm) thick, 0.625-0.718 inches (15.875–18.256 mm) long, and spaced 0.5 inches (12.7 mm) apart.

Delivering leading edge, innovative power solutions for more than 30 years....

Model:GT-86181-WWV.V-W2C

September 19, 2019

**Output Configuration**

Common output connector options:


 L Type (Coaxial  
5.5x2.5mm plug)

 C Type (Coaxial  
5.5x2.1mm plug)

 K Type (Coaxial  
3.5x1.3mm plug)

 LL Type (5.5x2.5mm  
Locking 760k type)

 CL Type (5.5x2.1mm  
Locking S761k type)

 ML2 Type (Molex  
housing 43025-0200)


YL3 Type (KPPX-3P)



YL4 Type (KPPX-4P)


 EJ1/2/3/4/5 (EIAJ  
RC-5320A type  
connectors)


MSB Type (Micro USB)


 USBC Type (USB Type  
C)

 Inquire for custom  
design

 For a comprehensive list of options, [click here](#)

Contact GlobTek for your specific requirements or custom solutions.



Delivering leading edge, innovative power solutions for more than **30** years....

Model:GT-86181-WVV.V-W2C

September 19, 2019

## Approvals

Logo

Description



Declaration ДС № EAЭC N RU Д-US.KA01.B.10453\_19 Custom Union of Russia, Belarus and Kazakhstan  
<http://www.globtek.com/redirect/?loc=gost-certificate-eac-declaration>