

Delivering leading edge, innovative power solutions for more than 30 years....

Model:GTM21089-WVVV-T2

June 24, 2019

GTM21089-WVVV-T2

Information

Model Number GTM21089-WVVV-T2

Description GTM21089-WVVV-T2, Medical Power Supply, Desktop/External, Regulated Switchmode AC-DC Power Supply AC Adaptor, , Input Rating: 100-240V~, 50-60 Hz, IEC 60320/C8 AC Inlet connector, Class II, Non-Earth Ground (aka "Figure-8"), Output Rating: 19 Watts, Power rating with convection cooling (W) , 3.3-48V in 0.1V increments, Approvals: PSE; PSE; EAC; VCCI; Ukraine; WEEE; China RoHS; CE; SIQ; Korea (12V Only); Double Insulation; RoHS; cRUus; IP40; Book 60601;

Model Picture



- Agency Documents <http://www.globtek.info/certs/GTM21089/>
- CE https://www.globtek.com/pdf/ec_declaration/a0Oa000000C2XV3EAN
- EC-Declaration https://www.globtek.com/pdf/rohs_cert/a0Oa000000C2XV3EAN
- RoHS/RoHS2 Declaration https://www.globtek.com/pdf/rohs_cert/a0Oa000000C2XV3EAN
- REACH Declaration https://www.globtek.com/pdf/iso_certificates/REACH.pdf
- Conflict Minerals Declaration <https://www.globtek.com/pdf/conflict-minerals.pdf>

Delivering leading edge, innovative power solutions for more than **30** years....

Model:GTM21089-WVV-T2

June 24, 2019

Model Parameters

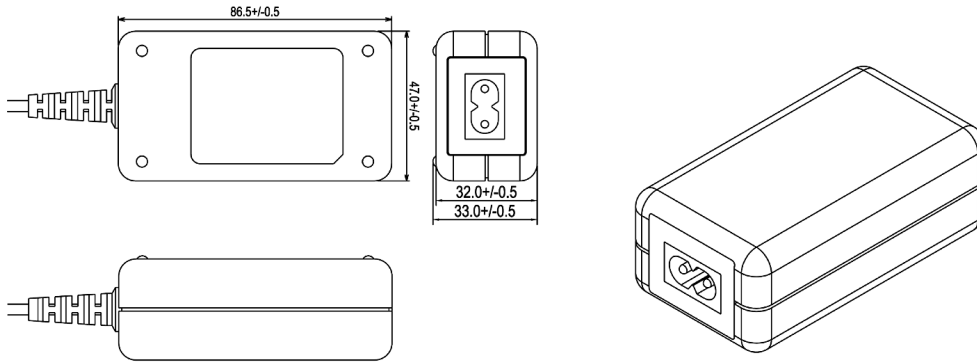
Type	Desktop/External
Technology	Regulated Switchmode AC-DC Power Supply AC Adaptor
Category	Medical Power Supply
Input Voltage	100-240V~, 50-60 Hz
I/P Amps (A)	0.5A MAX
Wattage (W)	19.0
Vout Range (V)	3.3-48
Efficiency Level	Meets/Exceeds for Medical
Ingress Protection	IP40
Size (mm)	87*47*32

Delivering leading edge, innovative power solutions for more than **30** years....

Model:GTM21089-WVV-T2

June 24, 2019

ENCLOSURE



Delivering leading edge, innovative power solutions for more than **30** years....

Model:GTM21089-WVV-T2

June 24, 2019

RATING TABLE

Model Number	Voltage	Amps(A)	Watts(W)	RFQ
GTM21089-0903-T2	3.3 V	2.6	8.58	RFQ
GTM21089-1305-T2	5 V	2.6	13.00	RFQ
GTM21089-1305-T2	5 V	2.6	13.00	RFQ
GTM21089-1506-T2	6 V	2.5	15.00	RFQ
GTM21089-1506-T2	6 V	2.5	15.00	RFQ
GTM21089-1509-1.5-T2	7.5 V	2	15.00	RFQ
GTM21089-1509-T2	9 V	1.7	15.30	RFQ
GTM21089-1509-T2	9 V	1.7	15.30	RFQ
GTM21089-1512-2.0-T2	10 V	1	10.00	RFQ
GTM21089-1512-T2	12 V	1.25	15.00	RFQ
GTM21089-1815-T2	15 V	1.2	18.00	RFQ
GTM21089-1815-T2	15 V	1.2	18.00	RFQ
GTM21089-1818-T2	18 V	1	18.00	RFQ
GTM21089-1818-T2	18 V	1	18.00	RFQ
GTM21089-1824-T2	24 V	0.75	18.00	RFQ
GTM21089-1824-T2	24 V	0.75	18.00	RFQ
GTM21089-1848-12.0-T2	36 V	0.5	18.00	RFQ
GTM21089-1948-T2	48 V	0.39	18.72	RFQ

SPECIFICATIONS

A) ELECTRICAL SPECIFICATIONS:

01. Input Voltage: Specified 90-264 Vac, Nameplate rated: 100-240Vac
02. Input Frequency: Specified 47-63 Hz, Nameplate rated 50-60Hz
03. Output Regulation: +/- 5% measured at the output connector
04. Line Voltage Regulation: +/- 1% typical measured at full load
05. Output Ripple (Vp-p): 1% or 100 mV whichever is greater, measured at 20 MHz bandwidth with 0.1 uf ceramic capacitor in parallel with a low impedance 47 uf electrolytic capacitor connected at the end of the output connector
06. Turn-ON/OFF: 5% maximum, 1 mS typical recovery time for 25% step load
07. Turn-ON Delay: 1 Second, typical
08. Hold-Up Time: 10 mS typical at nominal input voltage and full load
09. Inrush Current: 30A typical at 115Vac and 40A typical at 230Vac input
10. Switching Frequency: 100 KHz typical, varies with line and load
11. Efficiency: 75% typical at nominal input and full load

B) PROTECTION

01. Over-Voltage: limited by crowbar method
02. Over Load/Short Circuit: Momentary short circuit protected, output will auto recovery upon removal of short
03. Input Protection: Input line fusing

C) SAFETY

01. Dielectric Withstand Voltage: 5656 Vdc from primary to secondary (for Class II with functional ground)
02. Touch Current: Maximum allowed values: 100uA NC(Normal condition) 500uA SFC(single fault condition)

D) OTHER:

01. MTBF: 200,000 Hours @ 25°C ambient temperature
02. Operating Temperature: 0°C to 40°C ambient temperature
03. Humidity: 0% to 90% relative humidity
04. Storage Temperature: -10°C to 80°C
05. Cooling: Convection
06. RoHS 2: Complies with EU 2011/65/EU China SJ/T 11363-2006

E) ENCLOSURE

01. Housing: High impact plastic, 94V0 polycarbonate, non-vented
02. Size: 86.5*47.0*32.0 +/-0.5 mm
03. Markings: Label and/or Pad Printed and/or Molded in the case

Delivering leading edge, innovative power solutions for more than **30** years....

Model:GTM21089-WVVV-T2

June 24, 2019

DERATING CURVE

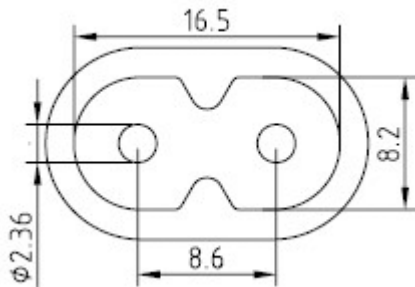
Delivering leading edge, innovative power solutions for more than 30 years....

Model:GTM21089-WWV-T2

June 24, 2019

Input Configuration

Description IEC 60320/C8 AC Inlet connector, Class II, Non-Earth Ground (aka "Figure-8")



Mates with IEC 60320/C7 Plug

Below are standard cordsets which are "not included" (unless stated above); these may be purchased separately or packaged with the power supply. Please contact your Sales Engineer if the style required is not shown below. Many more available in different lengths, colors or cable material.

Standard International IEC 320/C7 Cordsets

2094112M703(R) Argentina (Type I)	IRAM 2063	IEC 320/C7	20007
5014112M703A(R) Australian (Type I)	AS 3112	IEC 320/C7	20007
207B4111M8703(R) Brazil (Type N)	NBR14136	IEC 320/C7	18006
4533501M8703(R) China (Type A)	GB 2099.1	IEC 320/C7	18306
2074112M703A(R) European (Type C)	CEE 7/16	IEC 320/C7	20007
2084111M8703(R) India (Type M)	BS 546	IEC 320/C7	18006
451J3401M8703(R) Japan (Type A)	JIS 8303	IEC 320/C7	18306
2044112M703A(R) Korea (Type C)	KS C8305	IEC 320/C7	20007
4511116F703A(R) N. American (Type A)	NEMA 1-15P	IEC 320/C7	18306
4033401M8703A(R) Taiwan (Type A)	CNS690	IEC 320/C7	18306
6104112M703A(R) UK, Hong Kong, Singapore, Gulf States (Type G)	BS1363	IEC 320/C7	20007

Delivering leading edge, innovative power solutions for more than 30 years....

Model:GTM21089-WVV-T2

June 24, 2019

Output Configuration

Common output connector options:


 L Type (Coaxial
5.5x2.5mm plug)

 C Type (Coaxial
5.5x2.1mm plug)

 K Type (Coaxial
3.5x1.3mm plug)

 LL Type (5.5x2.5mm
Locking 760k type)

 CL Type (5.5x2.1mm
Locking S761k type)

 ML2 Type (Molex
housing 43025-0200)


YL3 Type (KPPX-3P)



YL4 Type (KPPX-4P)


 EJ1/2/3/4/5 (EIAJ
RC-5320A type
connectors)


MSB Type (Micro USB)


 USBC Type (USB Type
C)

 Inquire for custom
design

 For a comprehensive list of options, [click here](#)

Contact GlobTek for your specific requirements or custom solutions.

Delivering leading edge, innovative power solutions for more than 30 years....

Model:GTM21089-WVVV-T2

June 24, 2019

Approvals

Logo	Description
	60601-1 3rd Operating Instructions
	CE Mark: tested to comply with EN 60601-1-2:2015 Medical electrical equipment Part 1-2: - Mark is on the label or Molded in the case
	CHINA SJ/T 11364-2014, China RoHS Chart: http://en.globtek.com/globtek-rohs.php
	cRUus UL Recognized Component E172861 3rd Edition w-RM ANSI-AAMI ES60601-1 (2005 + C1:09 + A2:10) and CAN-CSA-C22.2 No. 60601-1 (2008)
	Declaration # EA3C N RU Д-US.АД75.В.01052 Custom Union of Russia, Belarus and Kazakhstan http://www.globtek.com/redirect/?loc=gost-certificate-eac-declaration
	Indoor Use Only - Mark is on the label or Molded in the case
IP40	Ingress Protection: ?IP40 to IEC60529:2001 Protection against granular foreign bodies
	JAPAN TUV R-PSE, Cert. No. JD 50314327, to J60950-1(H26) , J55022(H22),J3000(H25)[15V or less]. Please reference the following website for guidelines on PSE regulations: http://en.globtek.com/importing-ite-and-medical-power-supplies-ac-adaptors-to-japan/
	JAPAN TUV R-PSE, Cert. No. JD 50314327, to J60950-1(H26) , J55022(H22),J3000(H25)[DC15?30V]. Please reference the following website for guidelines on PSE regulations: http://en.globtek.com/importing-ite-and-medical-power-supplies-ac-adaptors-to-japan/
	Korea KET KC Mark GTM21089-1512-T2 HU10040-4016C (12V Only)
RoHS	Specifications of directive 2011/65/EU Annex VI (ROHS-2) with amendment 2015/863-EU (ROHS-3) http://www.ce-mark.com/Rohs%20final.pdf
	SIQ Mark License EN60601-1
IEC/EN60601-1	
	Ukraine UKRSepto (Document: www.globtek.com/html/iso_certificates/GT_Ukraine.pdf)
	Japan: Voluntary Control Council for Interference (VCCI)
	WEEE: Complies with EU 2012/19/EU (http://ec.europa.eu/environment/waste/wEEE/index_en.htm) Mark is on the label or Molded in the case