

Delivering leading edge, innovative power solutions for more than **30** years....

Model:GT-21089-T2

June 24, 2019

## GT-21089-T2

### Information

Model Number GT-21089-T2

Description GT-21089-T2, ITE Power Supply, Desktop/External, Regulated Switchmode AC-DC Power Supply AC Adaptor, , Input Rating: 100-240V~, 50-60 Hz, IEC 60320/C8 AC Inlet connector, Class II, Non-Earth Ground (aka "Figure-8"), Output Rating: 19 Watts, Power rating with convection cooling (W) , 3.3-48V in 0.1V increments, Approvals: EAC; Double Insulation; Ukraine; RoHS; NEMKO; WEEE; CE; VCCI; China RoHS; PSE; LPS; cULus; IP41; Korea (12V Only); SIQ;

Model Picture



Agency

Documents <http://www.globtek.info/certs/GT-21089/>

CE

EC-Declaration [https://www.globtek.com/pdf/ec\\_declaration/a0Oa000000C18EwEAJ](https://www.globtek.com/pdf/ec_declaration/a0Oa000000C18EwEAJ)

RoHS/RoHS2

Declaration [https://www.globtek.com/pdf/rohs\\_cert/a0Oa000000C18EwEAJ](https://www.globtek.com/pdf/rohs_cert/a0Oa000000C18EwEAJ)

REACH

Declaration [https://www.globtek.com/pdf/iso\\_certificates/REACH.pdf](https://www.globtek.com/pdf/iso_certificates/REACH.pdf)

Conflict

Minerals <https://www.globtek.com/pdf/conflict-minerals.pdf>

Declaration

Delivering leading edge, innovative power solutions for more than **30** years....

Model:GT-21089-T2

June 24, 2019

**Model Parameters**

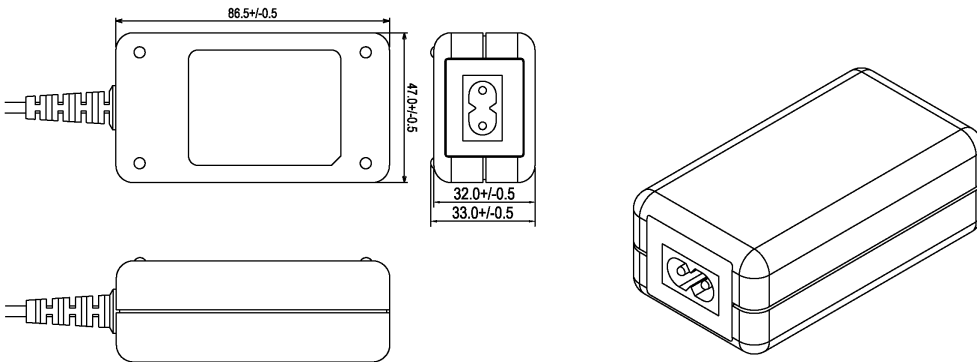
|                    |  |
|--------------------|--|
| Type               | Desktop/External                                   |
| Technology         | Regulated Switchmode AC-DC Power Supply AC Adaptor |
| Category           | ITE Power Supply                                   |
| Input Voltage      | 100-240V~, 50-60 Hz                                |
| I/P Amps (A)       | 0.5A MAX   |
| Wattage (W)        | 19.0   |
| Vout Range (V)     | 3.3-48   |
| Efficiency Level   | IV   |
| Ingress Protection | IP41   |
| Size (mm)          | 87*47*32   |

Delivering leading edge, innovative power solutions for more than **30** years....

Model:GT-21089-T2

June 24, 2019

ENCLOSURE



Delivering leading edge, innovative power solutions for more than **30** years....

Model:GT-21089-T2

June 24, 2019

**RATING TABLE**

| Model Number         | Voltage | Amps(A) | Watts(W) | RFQ                 |
|----------------------|---------|---------|----------|---------------------|
| GT-21089-0903-T2     | 3.3 V   | 2.6     | 8.58     | <a href="#">RFQ</a> |
| GT-21089-1305-T2     | 5 V     | 2.6     | 13.00    | <a href="#">RFQ</a> |
| GT-21089-1506-T2     | 6 V     | 2.5     | 15.00    | <a href="#">RFQ</a> |
| GT-21089-1509-1.5-T2 | 27.5 V  | 2       | 15.00    | <a href="#">RFQ</a> |
| GT-21089-1509-T2     | 9 V     | 1.67    | 15.03    | <a href="#">RFQ</a> |
| GT-21089-1512-T2     | 12 V    | 1.25    | 15.00    | <a href="#">RFQ</a> |
| GT-21089-1815-T2     | 15 V    | 1.2     | 18.00    | <a href="#">RFQ</a> |
| GT-21089-1818-T2     | 18 V    | 1       | 18.00    | <a href="#">RFQ</a> |
| GT-21089-1824-T2     | 24 V    | 0.75    | 18.00    | <a href="#">RFQ</a> |
| GT-21089-1836-T2     | 36 V    | 0.5     | 18.00    | <a href="#">RFQ</a> |
| GT-21089-1948-T2     | 48 V    | 0.4     | 19.20    | <a href="#">RFQ</a> |

Delivering leading edge, innovative power solutions for more than **30** years....

Model:GT-21089-T2

June 24, 2019

**SPECIFICATIONS****A) ELECTRICAL SPECIFICATIONS:**

01. Input Voltage: 90-264 Vac
02. Input Current: 0.5 A
03. Input Frequency: 47 - 63 Hz
04. Output Regulation: +/- 5% measured at the output connector
05. Line Voltage Regulation: +/- 0.5% typical measured at full load
06. Output Ripple : 1% of output voltage, peak to peak, typical
07. Turn-ON/Turn OFF Overshoot: 5% maximum, 1 mS typical recovery time for 25% step load
08. Turn-ON Delay: 1 Second, typical
09. Hold-Up Time: 10 mS typical at nominal input voltage and full load
10. Inrush Current: 30A typical at 115Vac input and 40A typical at 230Vac input
11. Switching Frequency: 100 KHz typical, varies with line and load
12. Efficiency: 75% typical at nominal Input and full load

**B) PROTECTION**

01. Over-Voltage: Voltage limited by crowbar method
  02. Over-load/Short Circuit: Momentary short circuit protected, output will auto recovery upon removal of short
04. Input Protection: Input line fusing

**C) SAFETY**

01. Dielectric Withstand Voltage: 4242 Vdc from primary to secondary
02. Touch Leakage Current: < 300uA at 264Vac input voltage

**D) OTHER:**

01. MTBF: 200,000 Hours @ 25°C ambient temperature
02. Operating Temperature: 0°C to 40°C ambient temperature
03. Humidity: 0% to 90% relative humidity
04. Storage Temperature: -10°C to 80°C
05. Cooling: Convection
06. RoHS 2: Complies with EU 2011/65/EU and China SJ/T 11363-2006

Delivering leading edge, innovative power solutions for more than **30** years....

Model:GT-21089-T2

June 24, 2019

DERATING CURVE

N/A

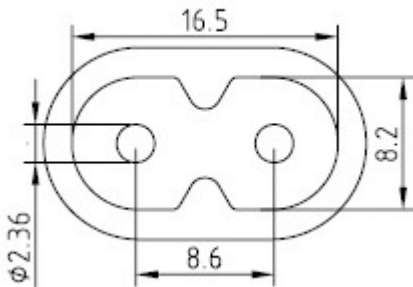
Delivering leading edge, innovative power solutions for more than 30 years....

Model:GT-21089-T2

June 24, 2019

**Input Configuration**

Description IEC 60320/C8 AC Inlet connector, Class II, Non-Earth Ground (aka "Figure-8")



Mates with IEC 60320/C7 Plug

Below are standard cordsets which are "not included" (unless stated above); these may be purchased separately or packaged with the power supply. Please contact your Sales Engineer if the style required is not shown below. Many more available in different lengths, colors or cable material.

Standard International IEC 320/C7 Cordsets

|  |            |            |       |
|--|------------|------------|-------|
| <a href="#">2094112M703(R)</a> Argentina (Type I)                              | IRAM 2063  | IEC 320/C7 | 20007 |
| <a href="#">5014112M703A(R)</a> Australian (Type I)                            | AS 3112    | IEC 320/C7 | 20007 |
| <a href="#">207B4111M8703(R)</a> Brazil (Type N)                               | NBR14136   | IEC 320/C7 | 18006 |
| <a href="#">4533501M8703(R)</a> China (Type A)                                 | GB 2099.1  | IEC 320/C7 | 18306 |
| <a href="#">2074112M703A(R)</a> European (Type C)                              | CEE 7/16   | IEC 320/C7 | 20007 |
| <a href="#">2084111M8703(R)</a> India (Type M)                                 | BS 546     | IEC 320/C7 | 18006 |
| <a href="#">451J3401M8703(R)</a> Japan (Type A)                                | JIS 8303   | IEC 320/C7 | 18306 |
| <a href="#">2044112M703A(R)</a> Korea (Type C)                                 | KS C8305   | IEC 320/C7 | 20007 |
| <a href="#">4511116F703A(R)</a> N. American (Type A)                           | NEMA 1-15P | IEC 320/C7 | 18306 |
| <a href="#">4033401M8703A(R)</a> Taiwan (Type A)                               | CNS690     | IEC 320/C7 | 18306 |
| <a href="#">6104112M703A(R)</a> UK, Hong Kong, Singapore, Gulf States (Type G) | BS1363     | IEC 320/C7 | 20007 |

Delivering leading edge, innovative power solutions for more than 30 years....

Model:GT-21089-T2

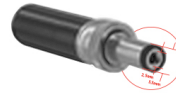
June 24, 2019

**Output Configuration**

Common output connector options:


 L Type (Coaxial  
5.5x2.5mm plug)

 C Type (Coaxial  
5.5x2.1mm plug)

 K Type (Coaxial  
3.5x1.3mm plug)

 LL Type (5.5x2.5mm  
Locking 760k type)

 CL Type (5.5x2.1mm  
Locking S761k type)

 ML2 Type (Molex  
housing 43025-0200)


YL3 Type (KPPX-3P)



YL4 Type (KPPX-4P)


 EJ1/2/3/4/5 (EIAJ  
RC-5320A type  
connectors)


MSB Type (Micro USB)


 USBC Type (USB Type  
C)

 Inquire for custom  
design

 For a comprehensive list of options, [click here](#)

Contact GlobTek for your specific requirements or custom solutions.



Delivering leading edge, innovative power solutions for more than 30 years....

Model:GT-21089-T2

June 24, 2019

## Approvals

| Logo  | Description  |
|---|--|
|   | Attention Mark / Refer to operating manual for operating and service instructions  |
|   | CE Mark: tested to comply with EN55022:2006/A1:2007 Class B, EN610003-2, EN610003-3 including EN61000-4-2, EN61000-4-3, EN61000-4-4, EN61000-4-5, EN61000-4-6N EN61000-4-11; EMI: Complies with EN55011 CLASS B and FCC Part 15B - On label or Molded in case                |
|   | CHINA SJ/T 11364-2014, China RoHS Chart: <a href="http://en.globtek.com/globtek-rohs.php">http://en.globtek.com/globtek-rohs.php</a>   |
|   | UL60950-1, cULus to UL 60950-1, 2nd Edition, 2007-03-27 and CSA C22.2 No. 60950-1-07, 2nd Edition, 2007-03   |
|   | Certification # TC RU AR46.B.75423 Custom Union of Russia, Belarus and Kazakhstan  |
|   | Indoor Use Only - Mark is on the label or Molded in the case   |
| IP41  | Ingress Protection: ?IP41 to IEC60529:2001 Protection against granular foreign bodies - Protected against vertically falling drops of water  |
| <br>직류전원장치 AC/DC ADAPTER<br>KTC HU10040-4016C<br>모델명:GT-21089-1512-T2<br>Mfr Name: GLOBTEK (SUZHOU) CO.,LTD<br>A/S Center: 10-6221-6100 | Korea KET KC Mark GT-21089-1512-T2 HU10040-4016C (12V Only)  |
| LPS   | Limited Power Source   |
|   | NEMKO  |
| <br>GlobTek, Inc.  | JAPAN TUV Rheinland-PSE GlobTek Inc to J60950-1(H26) , J55022(H22),J3000(H25).Please follow the procedure listed in the following link for proper import to Japan: <a href="http://en.globtek.com/importing-to-japan.php">http://en.globtek.com/importing-to-japan.php</a> . |
| RoHS  | Specifications of directive 2011/65/EU Annex VI (ROHS-2) with amendment 2015/863-EU (ROHS-3)<br><a href="http://www.ce-mark.com/Rohs%20final.pdf">http://www.ce-mark.com/Rohs%20final.pdf</a>  |
|   | SIQ Mark EN 60950-1 :2006 +A 1 :2010 +A 11 :2009 +A 12:2011 + A2:2013  |
| <br>10276   | Ukraine UKRsepro (Document: <a href="http://www.globtek.com/html/iso_certificates/GT_Ukraine.pdf">www.globtek.com/html/iso_certificates/GT_Ukraine.pdf</a> )   |
|   | Japan: Voluntary Control Council for Interference (VCCI)   |
|   | WEEE: Complies with EU 2012/19/EU ( <a href="http://ec.europa.eu/environment/waste/weee/index_en.htm">http://ec.europa.eu/environment/waste/weee/index_en.htm</a> )<br>Mark is on the label or Molded in the case  |