

Delivering leading edge, innovative power solutions for more than **30** years....

Model:GT-81087-20VV-x.x-W2E

June 24, 2019

GT-81087-20VV-x.x-W2E

Information

Model Number GT-81087-20VV-x.x-W2E

Description GT-81087-20VV-x.x-W2E, ITE Power Supply, Wall Plug-in, Regulated Switchmode AC-DC Power Supply AC Adaptor, , Input Rating: 100-240V~, 50-60 Hz, European CEE 7/16 configuration: Europlug 2 PIN, Output Rating: 20 Watts, Power rating with convection cooling (W) , 5-18V in 0.1V increments, Approvals: Level V; Double Insulation; GOST-R; Ukraine; LPS; RoHS; WEEE; CE; China RoHS;

Model Picture



Agency

Documents <http://www.globtek.info/certs/GT-81087/>

CE

EC-Declaration https://www.globtek.com/pdf/ec_declaration/a0Oa000000BzyFGAEZ

RoHS/RoHS2

Declaration https://www.globtek.com/pdf/rohs_cert/a0Oa000000BzyFGAEZ

REACH

Declaration https://www.globtek.com/pdf/iso_certificates/REACH.pdf

Conflict

Minerals <https://www.globtek.com/pdf/conflict-minerals.pdf>

Declaration

Delivering leading edge, innovative power solutions for more than **30** years....

Model:GT-81087-20VV-x.x-W2E

June 24, 2019

Model Parameters

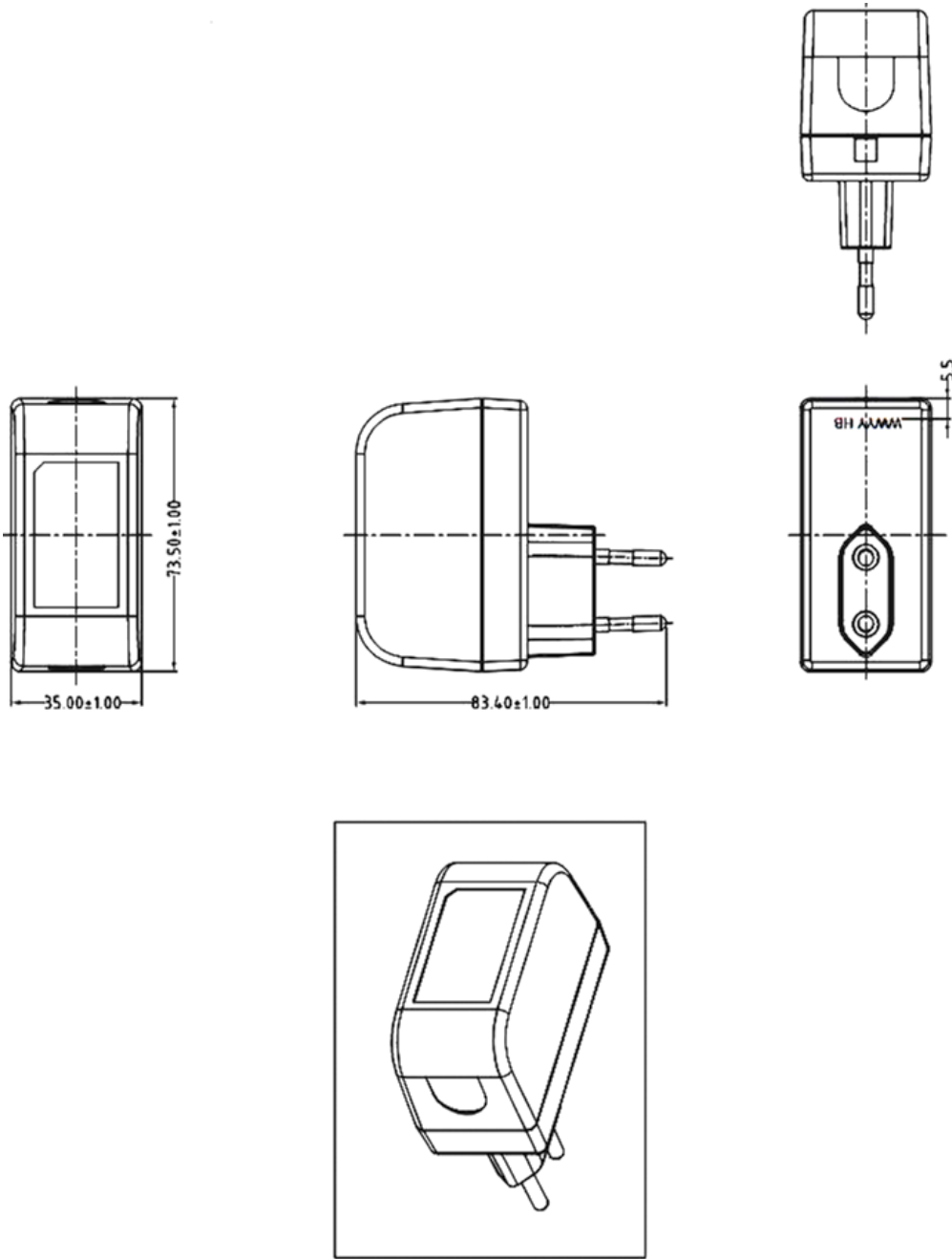
Type	Wall Plug-in
Technology	Regulated Switchmode AC-DC Power Supply AC Adaptor
Category	ITE Power Supply
Input Voltage	100-240V~, 50-60 Hz
I/P Amps (A)	0.7A
Wattage (W)	20.0
Vout Range (V)	5-18
Efficiency Level	V
Ingress Protection	
Size (mm)	74*46*35

Delivering leading edge, innovative power solutions for more than **30** years....

Model:GT-81087-20VV-x.x-W2E

June 24, 2019

ENCLOSURE



Size: 73.5*83.4*35.0±1.0 mm

Delivering leading edge, innovative power solutions for more than **30** years....

Model:GT-81087-20VV-x.x-W2E

June 24, 2019

RATING TABLE

Model Number	Voltage	Amps(A)	Watts(W)	RFQ
GT-81087-157.5-2.5-W2E5	V	3	15.00	RFQ
GT-81087-157.5-1.5-W2E6	V	2.5	15.00	RFQ
GT-81087-2012-3.0-W2E9	V	2	18.00	RFQ
GT-81087-2012-1.8-W2Z	10.2 V	2	20.40	RFQ
GT-81087-2012-W2E	12 V	1.7	20.40	RFQ
GT-81087-1812-W2E	12 V	1.5	18.00	RFQ
GT-81087-2018-3.0-W2E	15 V	1.33	19.95	RFQ
GT-81087-2018-W2E	18 V	1.13	20.34	RFQ

Delivering leading edge, innovative power solutions for more than 30 years....

Model:GT-81087-20VV-x.x-W2E

June 24, 2019

SPECIFICATIONS**A) ELECTRICAL SPECIFICATIONS:**

01. Input Voltage: Specified 90-264 Vac, Nameplate rated: 100-240Vac
02. Input Frequency: Specified 47-63 Hz, Nameplate rated 50-60Hz
03. Output Regulation: +/- 5% measured at the output connector
04. Line Voltage Regulation: +/- 2% typical measured at full load
05. Output Ripple (Vp-p): 200mV p-p measured at 20 MHz bandwidth with 0.1 uf ceramic capacitor in parallel with 10 uf electrolytic capacitor connected at the end of the output connector at nominal line
06. Turn-ON/OFF Overshoot: \pm 10% maximum, 500 uS typical recovery time for 25% to 50% step load
07. Turn-ON Delay: 4 sec, maximum @ full load, nominal line
08. Hold-Up Time: 100 mS typical @ nominal input voltage and full load
09. Inrush Current: 150A maximum cold start @ 115/230Vac input
10. Switching Frequency: 65 KHz typical

B) PROTECTION

01. Over-Voltage: Electronically Protected unit will auto recover upon removal of fault
02. Short Circuit: Electronically Protected unit will auto recover upon removal of fault
03. Input Protection: Input line fusing

C) SAFETY

01. Dielectric Withstand Voltage: 4242Vdc from primary to secondary
02. Touch Current: <0.25mA @ 240Vac input voltage

D) OTHER:

01. MTBF: 200,000 Hours @ 25°C ambient temperature
02. Operating Temperature: 0°C to 40°C ambient temperature
03. Humidity: 5% to 90% relative humidity
04. Storage Temperature: -20°C to 60°C
05. Cooling: Convection
06. ROHS 2: Complies with EU 2011/65/EU and China SJ/T 11363-2006

E) ENCLOSURE

01. Housing: High impact plastic, 94V0 polycarbonate, non-vented
02. Markings: Label and/or Pad Printed and/or Molded in the case

Delivering leading edge, innovative power solutions for more than **30** years....

Model:GT-81087-20VV-x.x-W2E

June 24, 2019

DERATING CURVE

Delivering leading edge, innovative power solutions for more than **30** years....

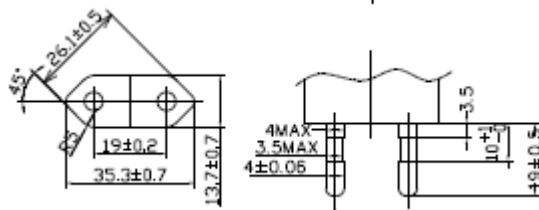
Model:GT-81087-20VV-x.x-W2E

June 24, 2019

Input Configuration

Description European CEE 7/16 configuration: Europlug 2 PIN

The prongs of the Europlug are 19 mm long. They consist of a 9 mm long conductive tip of 4 mm diameter with a rounded ending, followed by a 10 mm long flexible insulated shaft of not more than 3.8 mm diameter. The two prongs are not exactly parallel and converge slightly; their centres are 19 mm apart at the tip and 18.6 mm apart at the base. The elasticity of the converging prongs provides sufficient contact force for the Europlug's current rating with a variety of socket-hole arrangements. The entire plug is 35.3 mm wide and 13.7 mm high, and must not exceed these dimensions within 18 mm behind its front plane (this allows for the recesses on many European socket types). The left and right side of the plug are formed by surfaces that are at 45° relative to the horizontal plan.



Delivering leading edge, innovative power solutions for more than 30 years....

Model:GT-81087-20VV-x.x-W2E

June 24, 2019

Output Configuration

Common output connector options:


 L Type (Coaxial
5.5x2.5mm plug)

 C Type (Coaxial
5.5x2.1mm plug)

 K Type (Coaxial
3.5x1.3mm plug)

 LL Type (5.5x2.5mm
Locking 760k type)

 CL Type (5.5x2.1mm
Locking S761k type)

 ML2 Type (Molex
housing 43025-0200)


YL3 Type (KPPX-3P)



YL4 Type (KPPX-4P)


 EJ1/2/3/4/5 (EIAJ
RC-5320A type
connectors)


MSB Type (Micro USB)


 USBC Type (USB Type
C)

 Inquire for custom
design

 For a comprehensive list of options, [click here](#)

Contact GlobTek for your specific requirements or custom solutions.

Delivering leading edge, innovative power solutions for more than **30** years....

Model:GT-81087-20VV-x.x-W2E

June 24, 2019

Approvals

Logo	Description
	Attention Mark / Refer to operating manual for operating and service instructions
	CE Mark: tested to comply with EN55022:2006/A1:2007 Class B, EN610003-2, EN610003-3 including EN61000-4-2, EN61000-4-3, EN61000-4-4, EN61000-4-5, EN61000-4-6N EN61000-4-11; EMI: Complies with EN55011 CLASS B and FCC Part 15B - On label or Molded in case
	CHINA SJ/T 11364-2014, China RoHS Chart: http://en.globtek.com/globtek-rohs.php
	GOST-R mark for Russia(Document: http://www.globtek.com/html/iso_certificates/GT_GOST-R.pdf). 03/15/2015. Due to lack of demand, GlobTek will not be renewing it's GOST certification. Please contact your sales engineer for pricing on EAC.
	Indoor Use Only - Mark is on the label or Molded in the case
EFFICIENCY LEVEL 	Efficiency: complies to section 301 of Energy Independence and Security Act (EISA) complies with Energy Star tier 2 (North America), ECP tier 2 (China), MEPS tier 2 (Australia), Code of Conduct (Europe)
LPS	Limited Power Source
RoHS	Specifications of directive 2011/65/EU Annex VI (ROHS-2) with amendment 2015/863-EU (ROHS-3) http://www.ce-mark.com/Rohs%20final.pdf
	Ukraine UKRSepro (Document: www.globtek.com/html/iso_certificates/GT_Ukraine.pdf)
10276 	WEEE: Complies with EU 2012/19/EU (http://ec.europa.eu/environment/waste/weee/index_en.htm) Mark is on the label or Molded in the case