

Delivering leading edge, innovative power solutions for more than **30** years....

Model:GTD83050-05VV

June 24, 2019

GTD83050-05VV

Information

Model Number GTD83050-05VV

Description GTD83050-05VV, DC/DC Switching Power Supply, Vehicle/Car DC/DC Converter, DC-DC Non-Isolated, , Input Rating: 10-30VDC, Male Cigarette Lighter Plug, Output Rating: 5 Watts, Power rating with convection cooling (W) , 5VV in 0.1V increments, Approvals: EAC; CE; China RoHS; PSE; RoHS; WEEE; Ukraine; VCCI;

Model Picture



Agency

Documents

CE

EC-Declaration https://www.globtek.com/pdf/ec_declaration/a000c00000QCcb1EAD

RoHS/RoHS2

Declaration https://www.globtek.com/pdf/rohs_cert/a000c00000QCcb1EAD

REACH

Declaration https://www.globtek.com/pdf/iso_certificates/REACH.pdf

Conflict

Minerals

Declaration <https://www.globtek.com/pdf/conflict-minerals.pdf>

Delivering leading edge, innovative power solutions for more than **30** years....

Model:GTD83050-05VV

June 24, 2019

Model Parameters

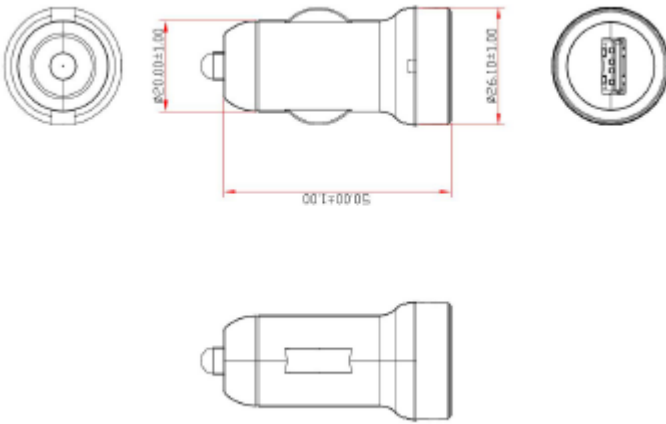
Type	Vehicle/Car DC/DC Converter
Technology	DC-DC Non-Isolated
Category	DC/DC Switching Power Supply
Input Voltage	10-30VDC
I/P Amps (A)	1A max
Wattage (W)	5.0
Vout Range (V)	5V
Efficiency Level	
Ingress Protection	
Size (mm)	51*21 *27.1

Delivering leading edge, innovative power solutions for more than **30** years....

Model:GTD83050-05VV

June 24, 2019

ENCLOSURE



Delivering leading edge, innovative power solutions for more than **30** years....

Model:GTD83050-05VV

June 24, 2019

RATING TABLE

Model Number	Voltage	Amps(A)	Watts(W)	RFQ
GTD83050-05055	V	1	5.00	RFQ

Delivering leading edge, innovative power solutions for more than **30** years....

Model:GTD83050-05VV

June 24, 2019

SPECIFICATIONS

INPUT VOLTAGE: 10-30VDC INPUT CURRENT: 1.0 A MAX OUTPUT VOLTAGE: + 5 V DC
OUTPUT CURRENT: 1 A, NO LOAD TO FULL LOAD, NO MINIMUM LOAD REQUIRED OUTPUT POWER (RATED): 5 WATTS MAX
OUTPUT RIPPLE (PEAK TO PEAK): 1% TYPICAL
OUTPUT REGULATION (LINE/LOAD): + 5 % FOR MAIN OUTPUT, MEASURED AT O/P CONNECTOR LINE REGULATION: + 0.5 % MAX AT FULL LOAD
TURN ON/ TURN OFF OVERSHOOT: 4% MAX 500uS MAX RECOVERY TIME FOR 25% STEP LOAD TURN-ON DELAY: 1 SEC MAX
EFFICIENCY: 70 % TYPICAL
SWITCHING FREQUENCY: 100 KHZ TYPICAL
OVER-VOLTAGE PROTECTION: AUTORECOVERY OVER-CURRENT / SHORT CIRCUIT: CURRENT LIMIT OTHER PROTECTION: INPUT FUSING
MTBF: 200,000 HOURS AT 25°C AMBIENT TEMPERATURE OPERATING TEMPERATURE: 0°C TO 40° C
STORAGE TEMPERATURE: -20°C TO 85° C HUMIDITY: 0% TO 90% RELATIVE HUMIDITY WEIGHT: 209 g
ROHS 2: COMPLIES WITH EU 2011/65/EU AND CHINA SJ/T 11363-2006

SAFETY APPROVALS (DESIGNED TO MEET): UL60950-1, CUL 22.2# 60950-1, TUV EN60950-1

EMC, EMISSIONS: COMPLIES WITH RADIATED EMISSIONS REQUIREMENTS FROM CISPR22/EN55022
CLASS B AND FCC PART 15 CLASS B, WHEN TESTED WITH A RESISTIVE LOAD

EMC, IMMUNITY: COMPLIES WITH APPLICABLE REQUIREMENTS FROM CISPR24/EN55024,
EN61000-4-2, EN61000-4-3 and EN61000-4-8

Delivering leading edge, innovative power solutions for more than **30** years....

Model:GTD83050-05VV

June 24, 2019

DERATING CURVE

Delivering leading edge, innovative power solutions for more than **30** years....

Model:GTD83050-05VV

June 24, 2019

Input Configuration

DescriptionMale Cigarette Lighter Plug

Delivering leading edge, innovative power solutions for more than 30 years....

Model:GTD83050-05VV

June 24, 2019

Output Configuration

Common output connector options:


 L Type (Coaxial
5.5x2.5mm plug)

 C Type (Coaxial
5.5x2.1mm plug)

 K Type (Coaxial
3.5x1.3mm plug)

 LL Type (5.5x2.5mm
Locking 760k type)

 CL Type (5.5x2.1mm
Locking S761k type)

 ML2 Type (Molex
housing 43025-0200)


YL3 Type (KPPX-3P)



YL4 Type (KPPX-4P)


 EJ1/2/3/4/5 (EIAJ
RC-5320A type
connectors)


MSB Type (Micro USB)


 USBC Type (USB Type
C)

 Inquire for custom
design

 For a comprehensive list of options, [click here](#)




Contact GlobTek for your specific requirements or custom solutions.

Delivering leading edge, innovative power solutions for more than **30** years....

Model:GTD83050-05VV

June 24, 2019

Approvals

Logo	Description
	CE Mark: tested to comply with EN55022:2006/A1:2007 Class B, EN610003-2, EN610003-3 including EN61000-4-2, EN61000-4-3, EN61000-4-4, EN61000-4-5, EN61000-4-6 EN61000-4-11; EMI: Complies with EN55011 CLASS B and FCC Part 15B - On label or Molded in case
	CHINA SJ/T 11364-2014, China RoHS Chart: http://en.globtek.com/globtek-rohs.php
	Declaration # EAЭC N RU Д-US.АД75.B.01052 Custom Union of Russia, Belarus and Kazakhstan http://www.globtek.com/redirect/?loc=gost-certificate-eac-declaration
 GlobTek, Inc.	JAPAN TUV R-PSE, Cert. No. JD 50315866, to J60950-1(H26) , J55022(H22),[15V or less]. Please reference the following website for guidelines on PSE regulations: http://en.globtek.com/importing-ite-and-medical-power-supplies-ac-adaptors-to-japan/
RoHS	Specifications of directive 2011/65/EU Annex VI (ROHS-2) with amendment 2015/863-EU (ROHS-3) http://www.ce-mark.com/Rohs%20final.pdf
 10276	Ukraine UKRSepr (Document: www.globtek.com/html/iso_certificates/GT_Ukraine.pdf)
	Japan: Voluntary Control Council for Interference (VCCI)
	WEEE: Complies with EU 2012/19/EU (http://ec.europa.eu/environment/waste/weee/index_en.htm) Mark is on the label or Molded in the case